

TANCO AUTOWRAP SYSTEMS

400 & 500 Model 1992

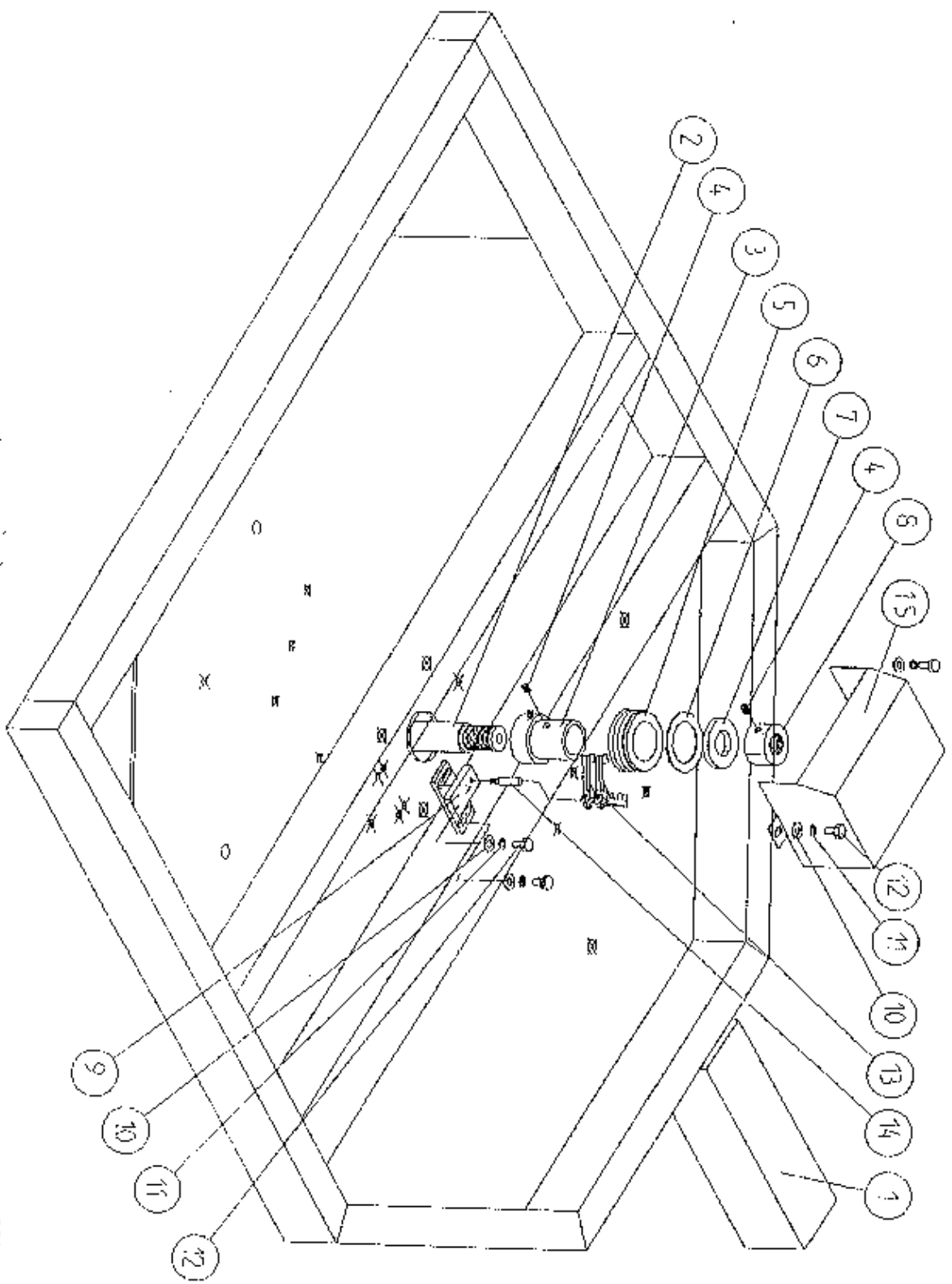
OPERATORS HANDBOOK

AND

PARTS LIST

WD62-M0592

TANCO AUTOWRAP - CUT AND START UNIT (1992)
SLIP RING ASSEMBLY

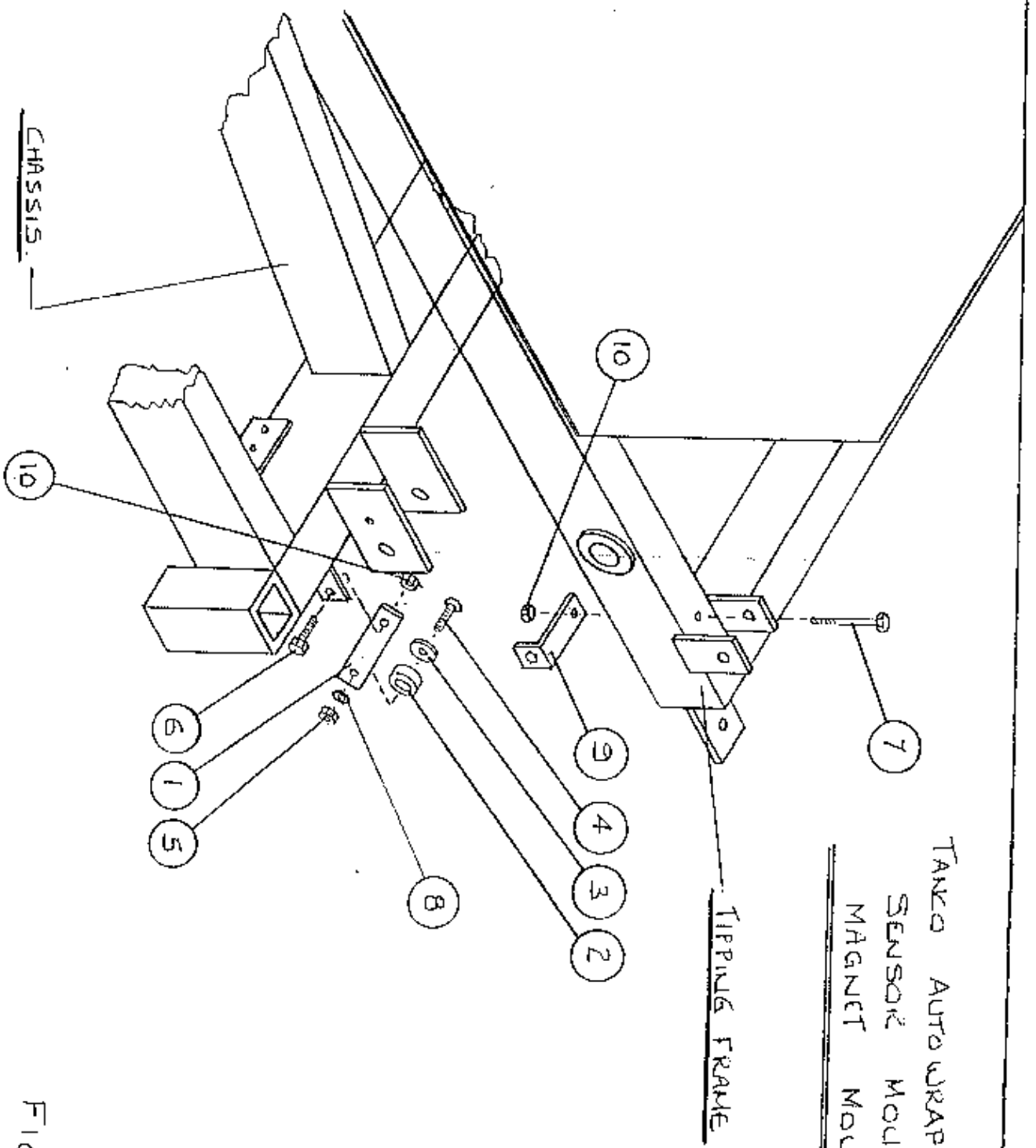


TANCO AUTOWRAP CUT AND START UNIT (1992)

SLIP RING ASSY.

PARTS LIST

<u>ITEM NO.</u>	<u>DESCRIPTION</u>	<u>QTY.</u>	<u>PART NO.</u>
1.	UNDERSIDE OF TIPPING FRAME	1	
2.	TURNTABLE SPINDLE	1	WD60-768
3.	SLIP RING MOUNTING SLEEVE	1	WD60-769
4.	M8 GRUB SCREW	2	228-006
5.	SLIP RING ASSY.	1	Z0605-308
6.	INSULATING RING	1	Z0605-350
7.	LOCKING COLLAR	1	WD60-715
8.	1 1/4" UNC HEX NUT	1	Z18-300
9.	SLIP RING MOUNTING BRACKET ASSY.	1	WD605-SMB
10.	10mm DIA FLAT WASHER 1" O.D.	4	Z11-02-101
11.	10mm SPRING WASHER	4	Z12-02-10
12.	M10 HEX HD SET x 20mm	4	Z26-060S
13.	BRUSHES	2	Z0605-306
14.	INSULATOR SLEEVE	1	Z0605-304
15.	SLIP RING GUARD ASSY	1	WD605-SRMG



- TANK AUTO WRAP CUT AND START
- SENSOR MOUNTING BRACKET
- MAGNET MOUNTING BRACKET

CHASSIS

TIPPING FRAME

FIG. 6.

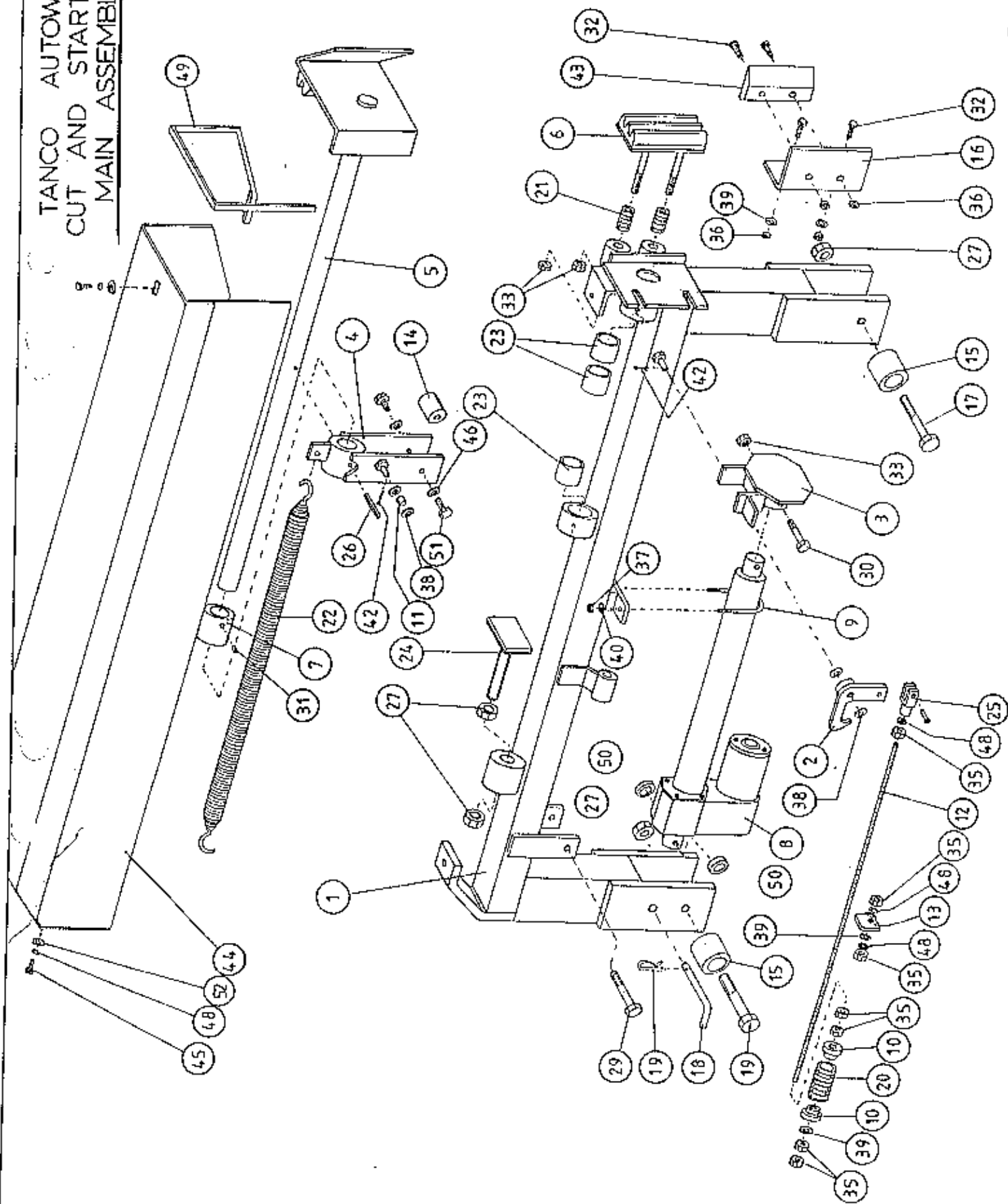
TANCO AUTOWRAP CUT AND START UNIT 1992

SENSOR AND MAGNET MOUNTING BRACKETS

PARTS LIST

<u>ITEM NO.</u>	<u>DESCRIPTION</u>	<u>QTY.</u>	<u>PART NO.</u>
1	MAGNET MOUNTING FLAT	1	WD605-57
2	MAGNET 35mm O.D. x 17mm I.D. x 8mm LONG	1	ZD605-200
3	8mm DIA FLAT WASHER 1" O.D.	1	Z11-02-081
4	M6 CS'K SET SCREW x 25mm	1	Z13-131
5	M8 LOCKNUT (NYLOCK)	1	Z23-06
6	M8 HEX HD SET x 20mm	1	Z26-020S
7	M6 HEX HD BOLT x 1.00	1	Z26-057B
8	6mm DIA FLAT WASHER	1	Z11-02-06
9	SENSOR MOUNTING BRACKET	1	WD605-58
10	M8 LOCKNUT (NYLOCK)	2	Z23-08

TANCO AUTOWRAP
 CUT AND START UNIT (11992)
 MAIN ASSEMBLY



TANCO AUTOWRAP CUT AND START UNIT (1992)

PARTS LIST

<u>ITEM NO.</u>	<u>DESCRIPTION</u>	<u>QTY.</u>	<u>PART NO.</u>
1.	MAIN MOUNTING FRAME ASSY.	1	WD605-MFA
2.	LATCH ASSY.	1	WD605-LA
3.	PUSH PLATE ASSY.	1	WD605-PP
4.	GUIDE ASSY.	1	WD605-GB
5.	PLUNGER ASSY.	1	WD605-PL
6.	FILM GRIPPER ASSY.	1	WD605-FG
7.	PLUNGER END CAP	1	WD605-90
8.	WARNER LINEAR ACTUATOR D11 10B5 08 NO CLUTCH 12V	1	20605-500
9.	"U" BOLT	1	WD605-45
10.	STEPPED COLLAR	2	WD605-46
11.	SLEEVE 1/2" DIA O.D. x 13/32" DIA I.D.	1	WD605-47
12.	THREADED ROUND 5/16" UNF	1	WD605-48
13.	TRIGGER	1	WD605-S0
14.	COLLAR 1" DIA BRIGHT RD. x 41.5mm LONG	1	WD605-51
15.	SPACER	1	WD605-100
16.	BLADE GUARD/MOUNTING BRACKET	1	WD605-105
17.	M12 HEX HD BOLT x 80mm LONG	2	226-0901B
18.	BISSEL PIN	1	203-22-AW100
19.	4mm "R" CLIP	1	236-02
20.	SPRING 16mm O.D. x 1.5mm WIRE x 48mm LONG	1	207-34
21.	SPRING 1.09" O.D. x 0.092" WIRE x 1.54" LONG	2	207-44
22.	SPRING 1.125" O.D. x 0.125" WIRE x 330mm	1	207-46
23.	OILITE OIL RETAINING BUSH 1 1/8" O.D. x 3/4" I.D. x 1" L.	3	206-105
24.	RUBBER BUFFER ASSY.	1	WD605-RBA
25.	CLEVIS C/W PIN	1	249-33
26.	1 1/2" x 1/4" DIA TENSION PIN	1	203-20-07
27.	M16 HEX NUTS	2	218-16
28.	M12 LOCKNUTS	2	223-12
29.	M12 HEX HD BOLT x 65mm	1	226-0882B
30.	M12 HEX HD BOLT x 50mm	1	226-086B
31.	M8 GRUB SCREW	1	
32.	M8 HEX HD SET x 25mm	4	226-025S
33.	M12 BINX LOCKNUT	4	223-12BX

2 22

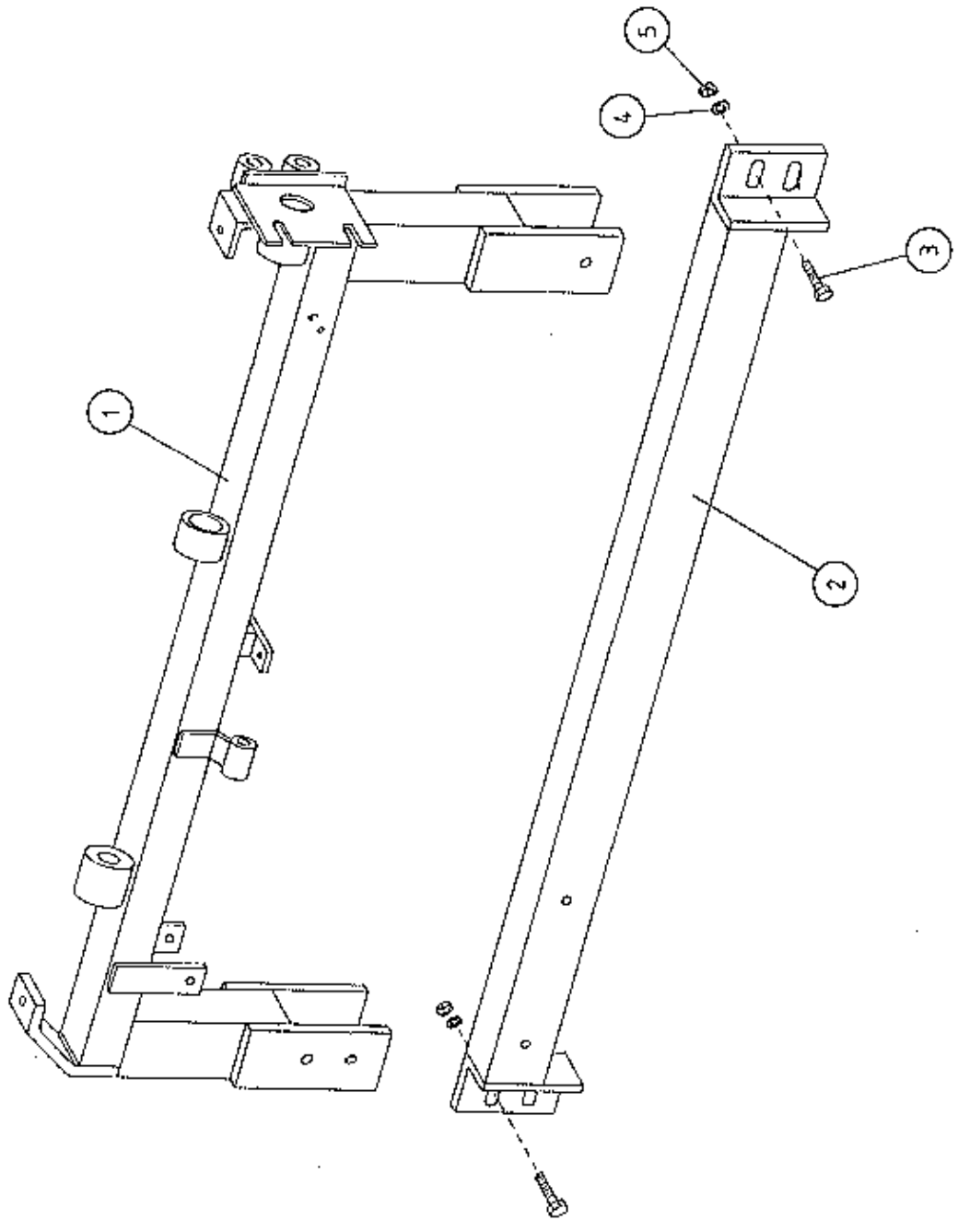
2 2

TANCO AUTOWRAP CUT AND START UNIT (1992)

PARTS LIST

<u>ITEM NO.</u>	<u>DESCRIPTION</u>	<u>QTY.</u>	<u>PART NO.</u>
35.	5/16" UNF HEX NUT	7	Z15-05
36.	M8 LOCKNUT	6	Z18-08
37.	M6 LOCKNUT (NYLOCK)	2	Z23-16
38.	10mm DIA FLAT WASHER	10	Z11-02-10
39.	8mm DIA FLAT WASHER	5	Z11-02-08
40.	6mm DIA FLAT WASHER	2	Z11-02-06
42.	3mm DIA SPLIT PIN	2	Z03-21-02
43.	BLADE	1	Z44-34
44.	MAIN GUARD	1	WD605-MG
45.	M8 HEX HD SET x 20mm LONG	2	Z26-020S
46.	10mm DIA SPRING WASHER	2	Z12-02-10
47.			
48.	8mm DIA SPRING WASHER	9	Z12-02-08
49.	EDGING STRIP	1	Z44-12
50.	SPACER 1" O.D. x 1/2" I.D. x 6mm LONG	2	WD605-65
51.	M10 HEX HD SET x 20mm	2	Z26-060S
52.	8mm DIA FLAT WASHER 1" O.D.	4	Z11-02-081

T. NCO. AUTOWRAP CUT AND MOUNTING FRAME (PART 1992)



TANCO AUTOWRAP CUT AND START UNIT

MOUNTING FRAME

PARTS LIST

<u>ITEM NO.</u>	<u>DESCRIPTION</u>	<u>QTY.</u>	<u>PART NO.</u>
1.	MAIN MOUNTING FRAME ASSY.	1	WD605-MFA
2.	MAIN FRAME MOUNTING	1	WD605-MFM
3.	M10 HEX HD SET x 30mm LONG	2	Z26-0625
4.	1.0mm DIA SPRING WASHER	2	Z12-02-10
5.	M10 HEX NUT	2	Z18-10

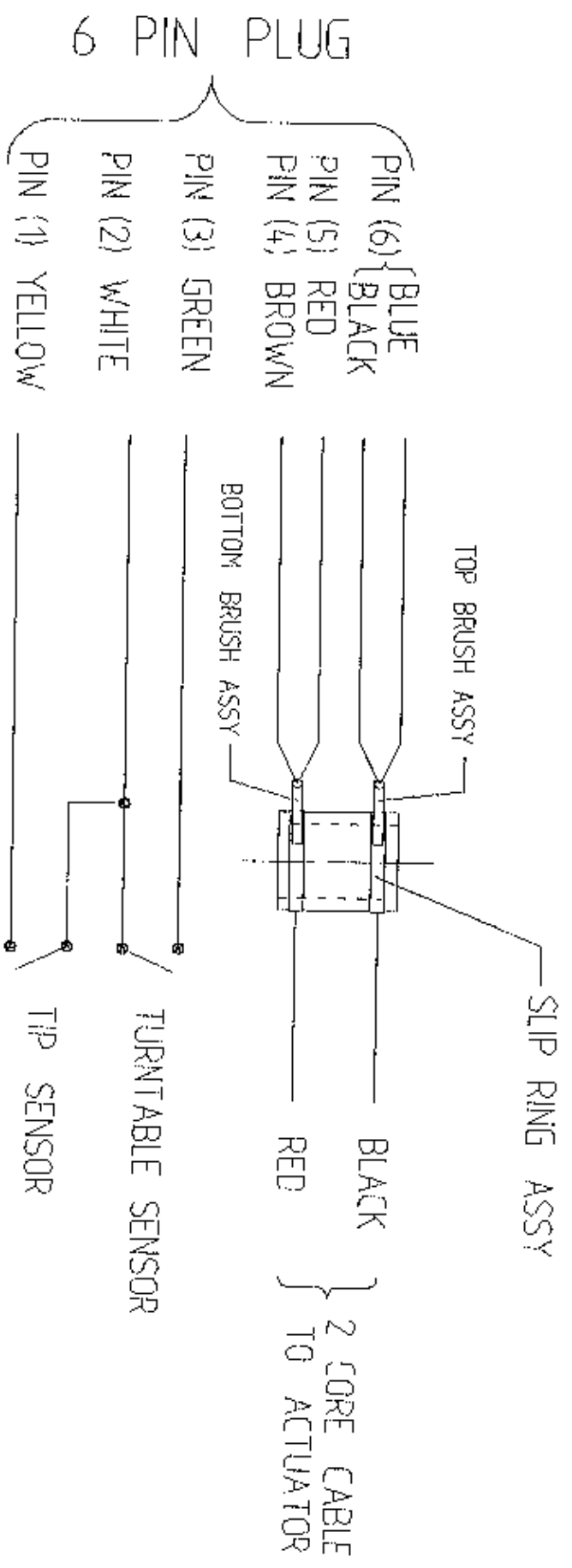
2

2

2

2

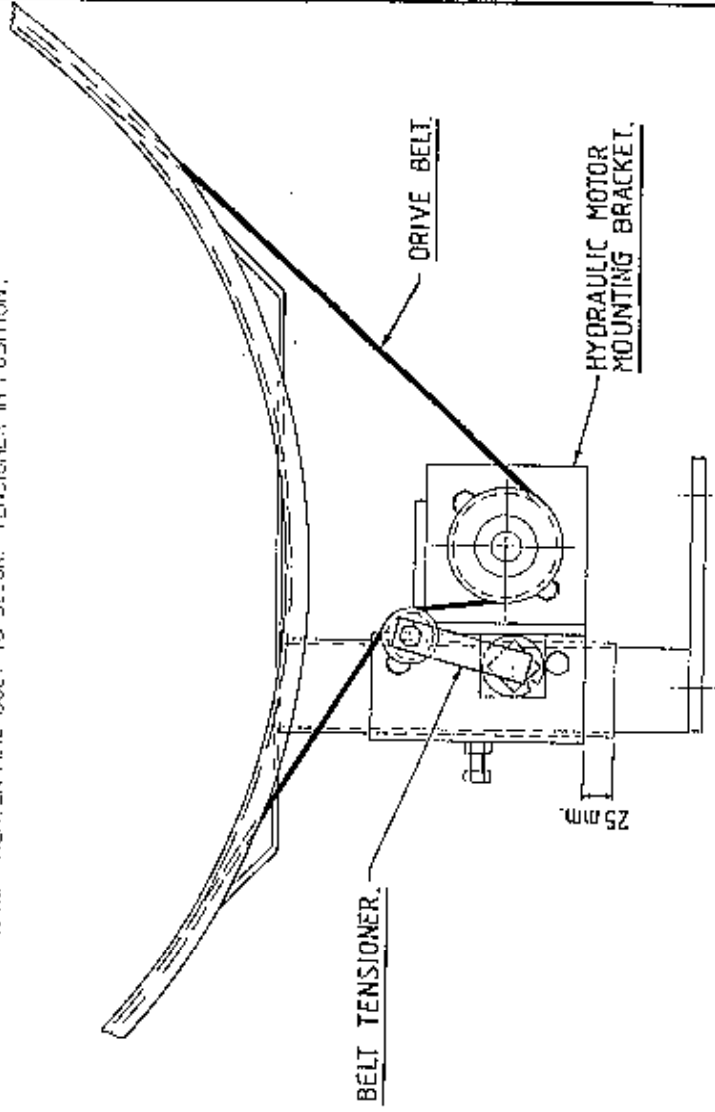
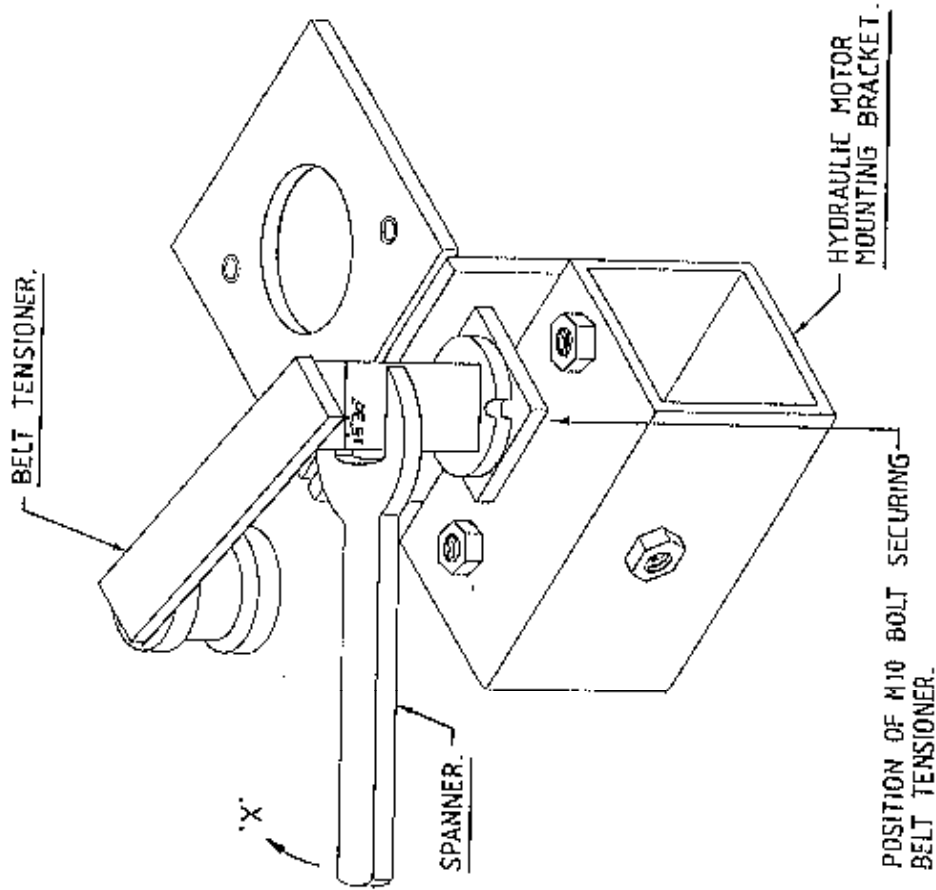
TANCO AUTOWRAP CUT AND START ELECTRICAL CIRCUIT



TANCO AUTOC.VRA. 1992 DRIVE BELT TENSIONING SYSTEM.

BELT TENSIONING PROCEDURE

1. CHECK THAT HYDRAULIC MOTOR MOUNTING BRACKET IS SECURED IN POSITION USING 25mm DIMENSION AS SHOWN.
2. LOOSEN M10 BOLT SECURING BELT TENSIONER.
3. TENSION BELT BY ADJUSTING TENSIONER USING SPANNER IN DIRECTION OF ARROW 'X' UNTIL SETTING OF 25°-30° IS REACHED.
4. RE - TIGHTEN M10 BOLT TO SECURE TENSIONER IN POSITION.



NOTE :

WHEN FITTING $\frac{3}{4}$ " DIA CAM FOLLOWERS
TO QUADRANT ASSEMBLY IT IS NECESSARY
TO TORQUE NUTS TO 26 FT/LB.

$\frac{3}{4}$ " DIA CAM FOLLOWER (HEAVY DUTY)
C/W GREASE NIPPLE X 7 OFF

QUADRANT ASSEMBLY (WD 50-QA)

10mm DIA SPRING WASHER

$\frac{3}{8}$ " U.N.F LOCKNUT (BINX)

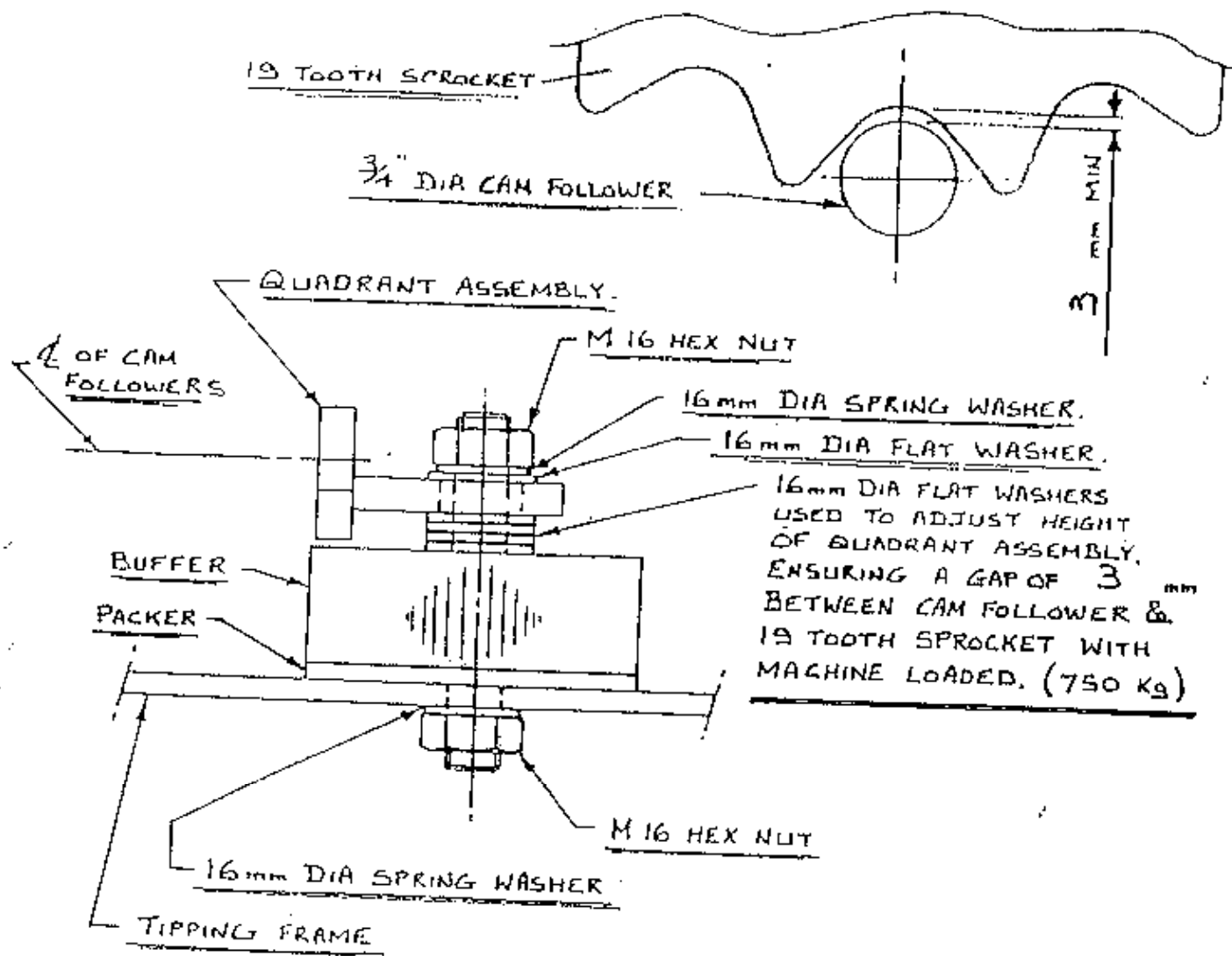
PLAN VIEW OF QUADRANT ASSEMBLY.

NOTE :

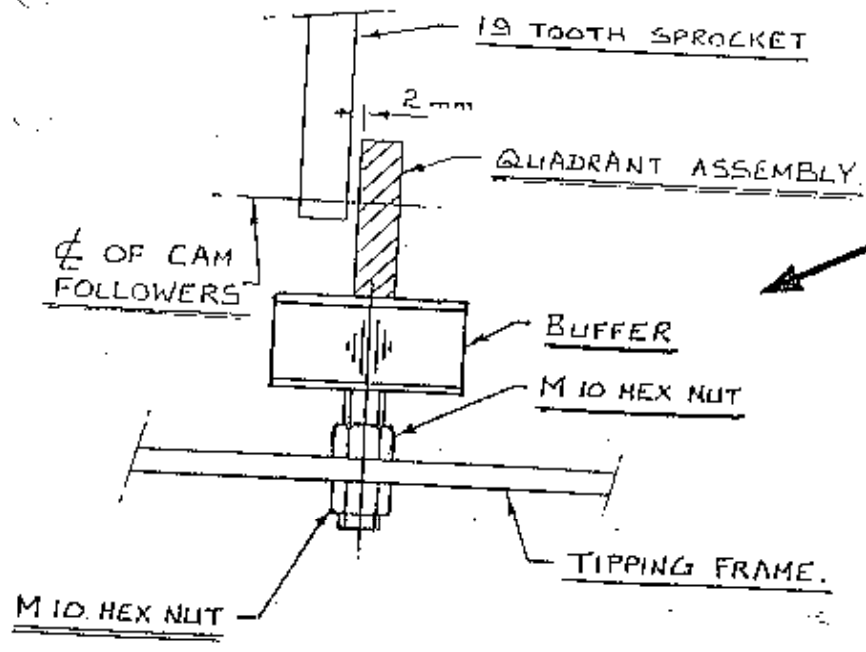
ENSURE THAT M20 HEX HD BOLT X 110mm
LONG USED TO MOUNT 4" DIA SUPPORT
WHEELS ON TURNABLE ASSEMBLY IS
POSITIONED WITH BOLT HEAD TO INSIDE
TO AVOID FOLLING $\frac{3}{4}$ " DIA CAM
FOLLOWER .

TANCO AUTOWRAP (1993 MODEL)

QUADRANT ASSEMBLY INSTRUCTIONS.



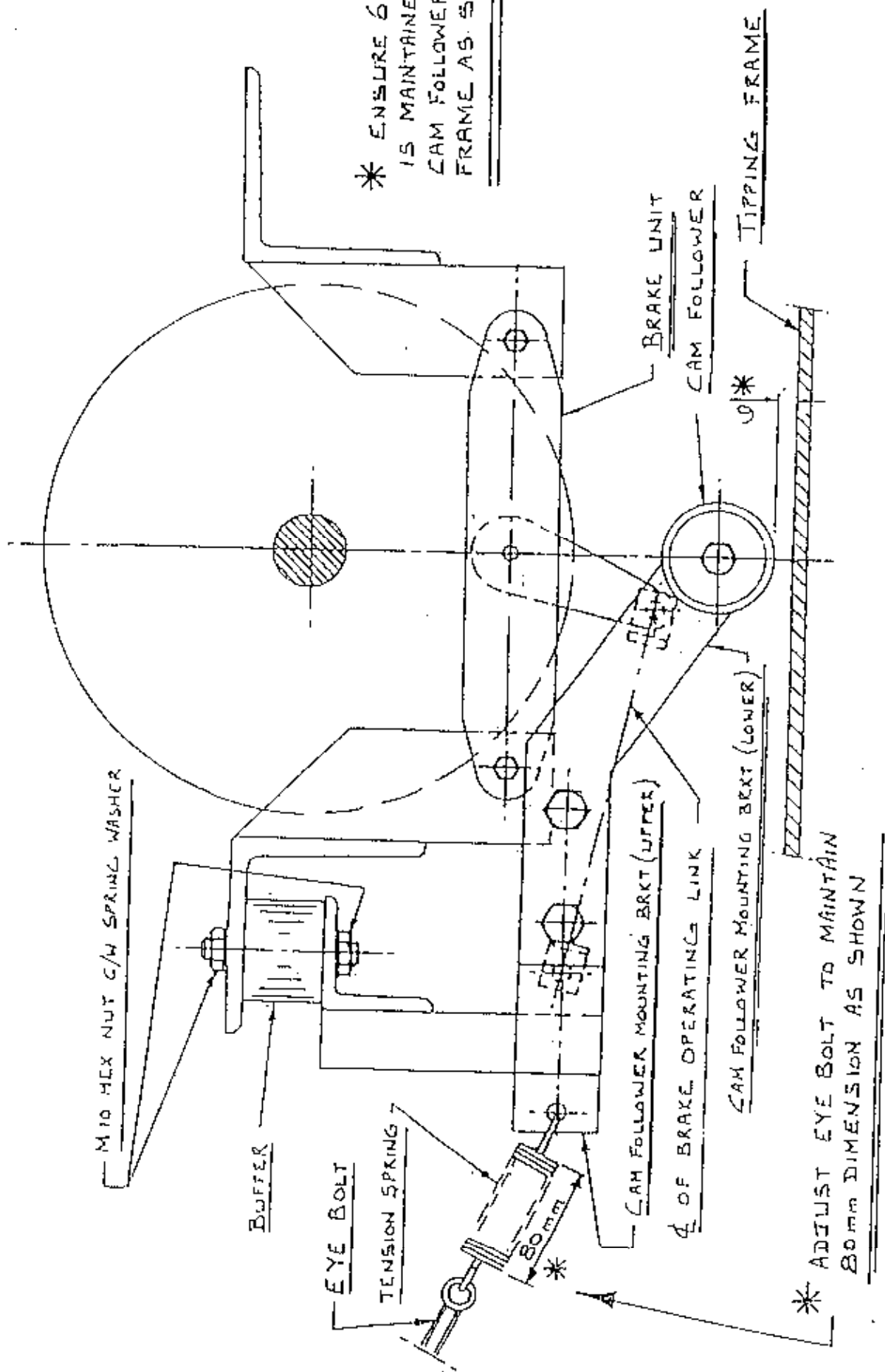
TANCO AUTO WRAP. 1993
INDEX SHAFT, SPROCKET CLEARANCE ADJUSTMENT.



NOTE:
 AFTER SETTING QUADRANT POSITION ADJUST CENTRE BUFFER HEIGHT UNTIL IT TOUCHES LOWER EDGE OF QUADRANT ASSEMBLY AS SHOWN.

TANCO AUTO WRAP (1992)

INDEX SHAFT, DISC BRAKE ADJUSTMENT



OPERATING INSTRUCTION

500mm wide film rolls are used as standard on 200, 300 & 400 autowrap Models while 750mm wide film rolls are used as standard on 500 model. If however it is found necessary to use 500mm wide rolls along with 750mm film dispenser the following instructions must be adhered to: (NOTE: Failure to do so will result in inadequate wrapping and bale spoilage).

1. Fit film adaptor to top end of 500mm wide film roll as shown opposite (Fig. 1).
2. Shorten length of both brake cams by removing M10 x 30 Bolt Item 12. Slacken M10 x 30 Bolt Item 16, Adjust long brake cam Item 15 in direction shown, so that brake re-engages as sprocket leaves last cam follower. Then tighten M10 x 30 Bolt Item 16.
3. Reduce number of cam followers (Item 3) in each quadrant assembly (Item 2) to 7 off, ensuring that cam followers are removed from correct end of each quadrant assembly. See Fig.2.
4. Adjust height of film mast so that centre of film roll is in line with centre of bale on the turntable.
5. Adjust Bale Wrap indicator setting from 15 to 22 revolutions for 120cm x 120cm bales. (See page 6 for guide to Bale Wrap indicator settings).

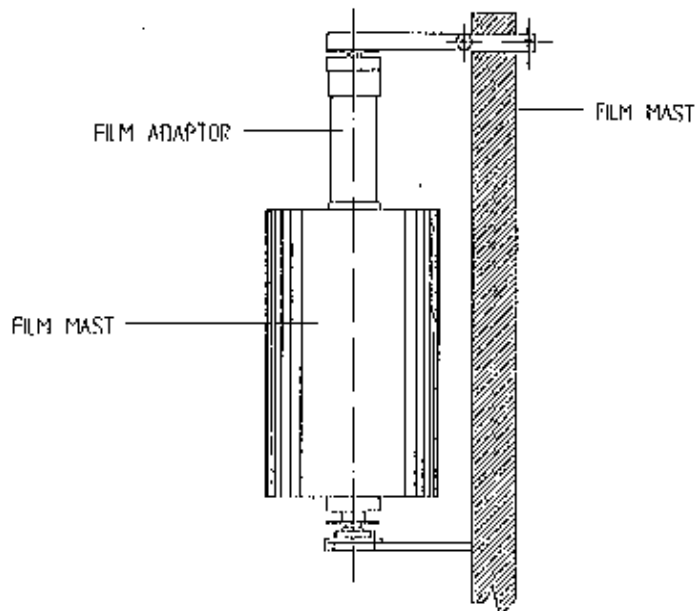


Fig 1

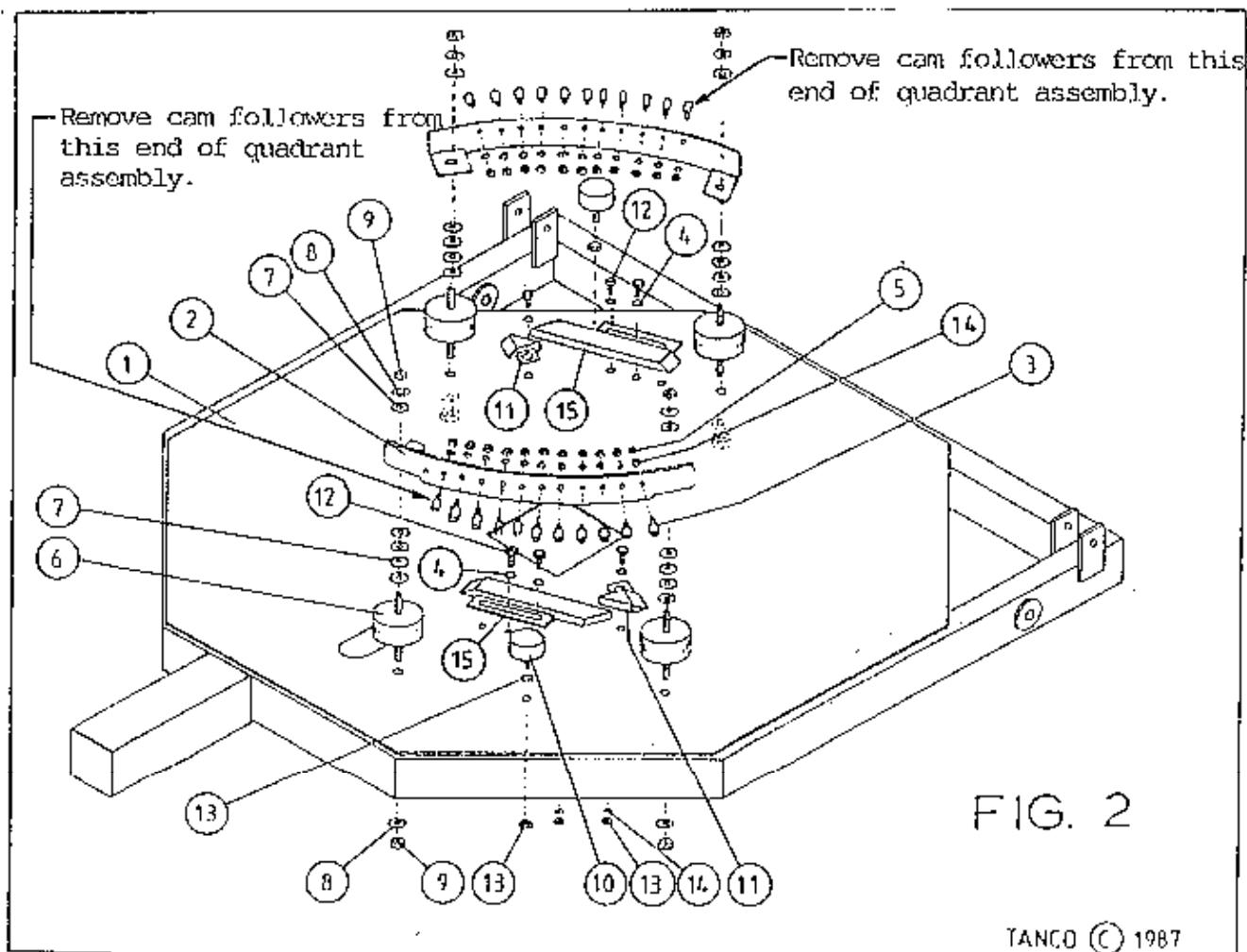
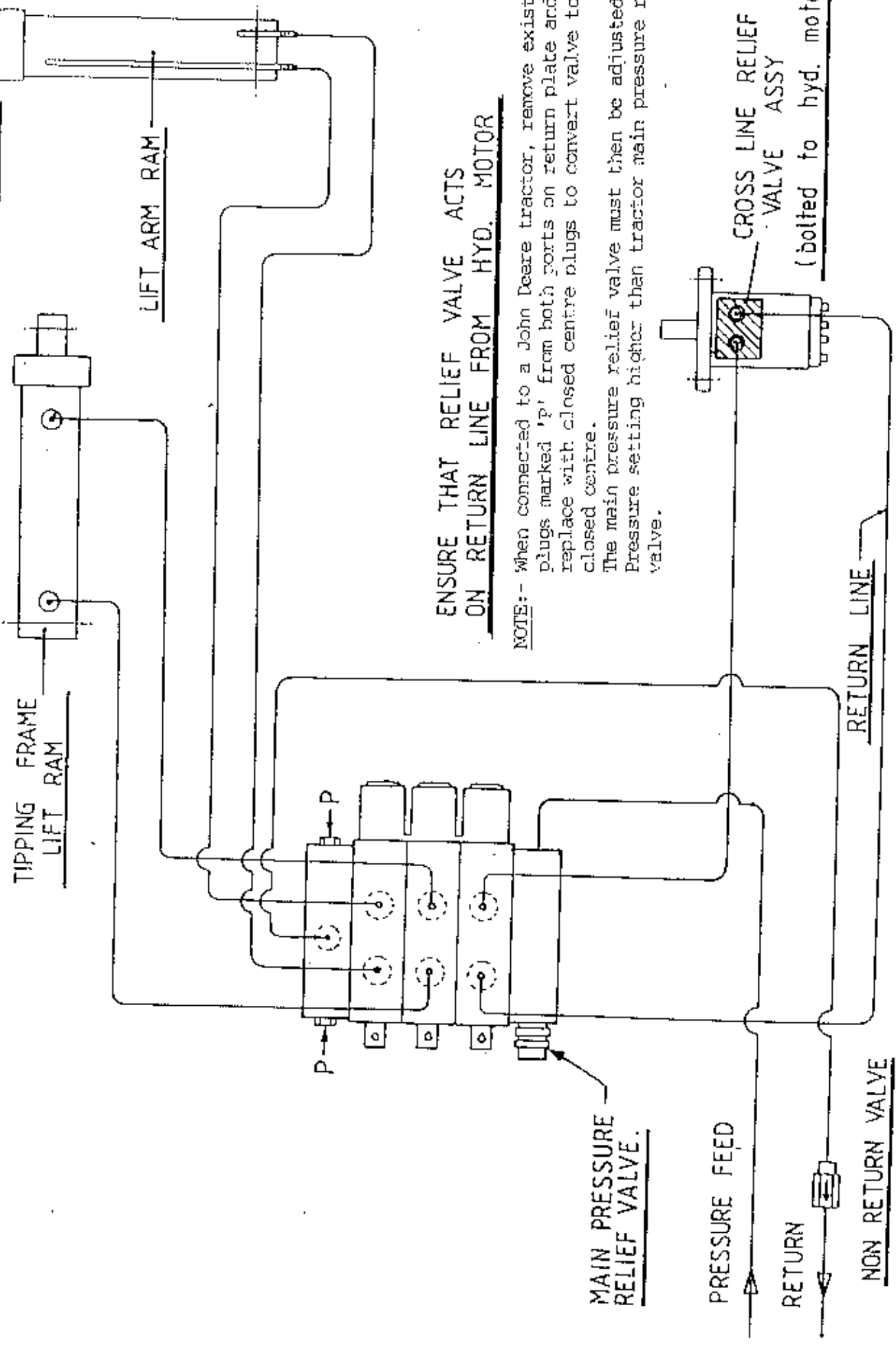


FIG. 2

TANCO AUTOWRAP

400 MODEL (TRAILED) HYD. CIRCUIT (DIN) (1993)

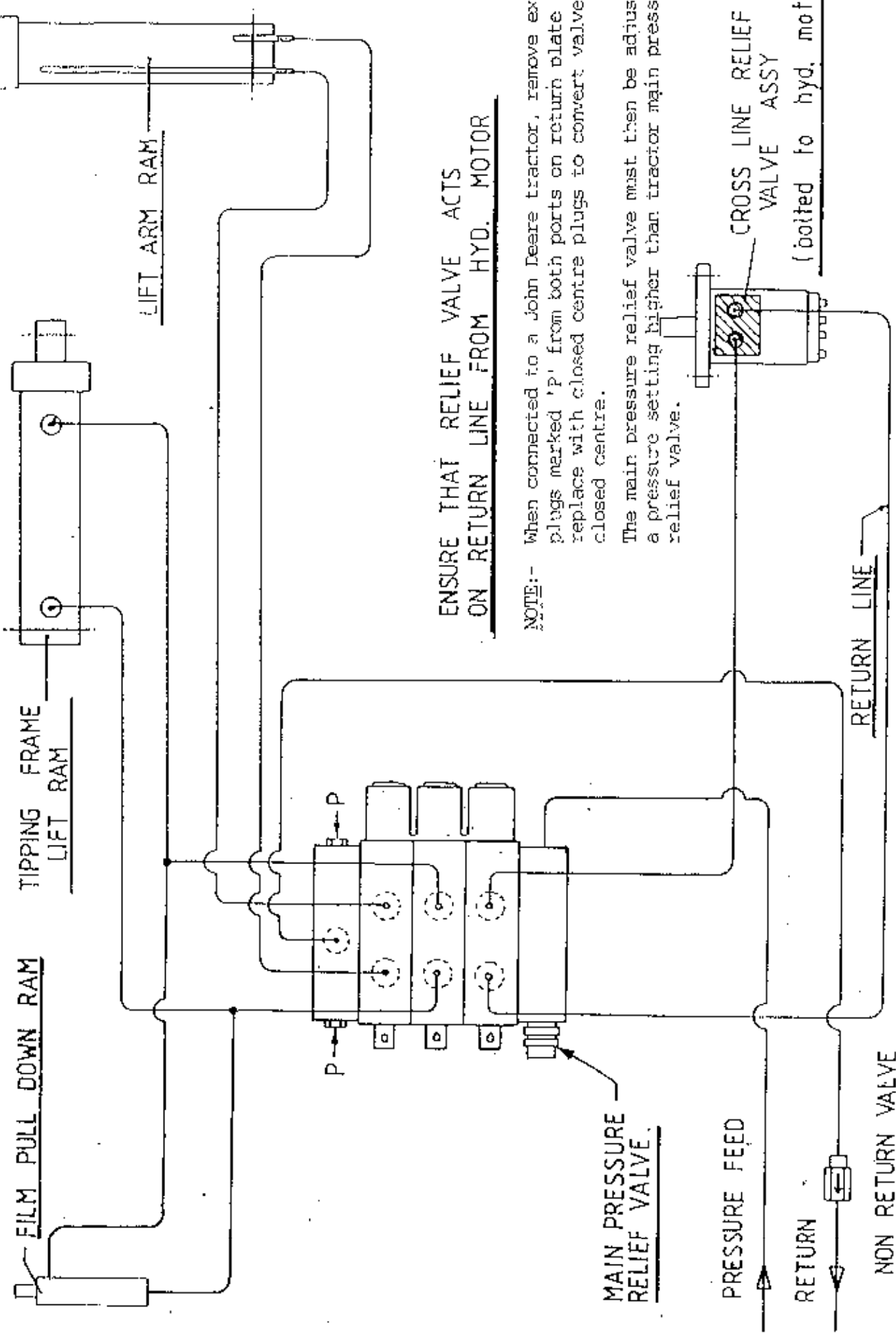


ENSURE THAT RELIEF VALVE ACTS ON RETURN LINE FROM HYD. MOTOR

NOTE:- When connected to a John Deere tractor, remove existing plugs marked 'P' from both ports on return plate and replace with closed centre plugs to convert valve to closed centre.
The main pressure relief valve must then be adjusted to a Pressure setting higher than tractor main pressure relief valve.

CROSS LINE RELIEF VALVE ASSY
(bolted to hyd. motor)

TANCO AUTOWRAP 500 & 1050 MODEL (TRAILED) HYD. CIRCUIT (DIN) (1993)



ENSURE THAT RELIEF VALVE ACTS ON RETURN LINE FROM HYD. MOTOR

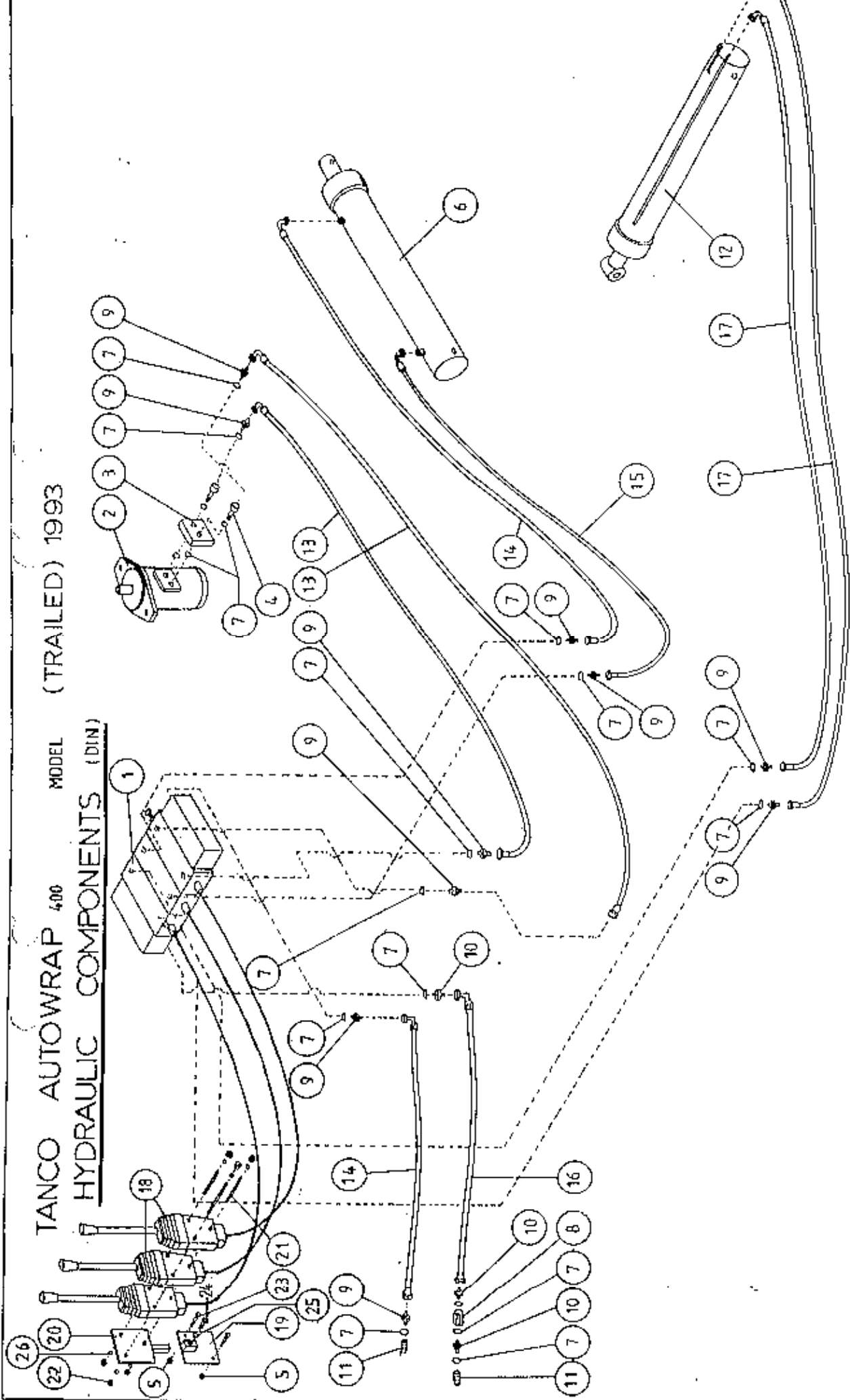
NOTE:- When connected to a John Deere tractor, remove existing plugs marked 'P' from both ports on return plate and replace with closed centre plugs to convert valve to closed centre.

The main pressure relief valve must then be adjusted to a pressure setting higher than tractor main pressure relief valve.

CROSS LINE RELIEF VALVE ASSY
(bolted to hyd. motor)

TANCO AUTOWRAP 400 MODEL (TRAILED) 1993

HYDRAULIC COMPONENTS (DIN)



TANCO AUTOWRAP 400 MODEL (TRAILED) 1993

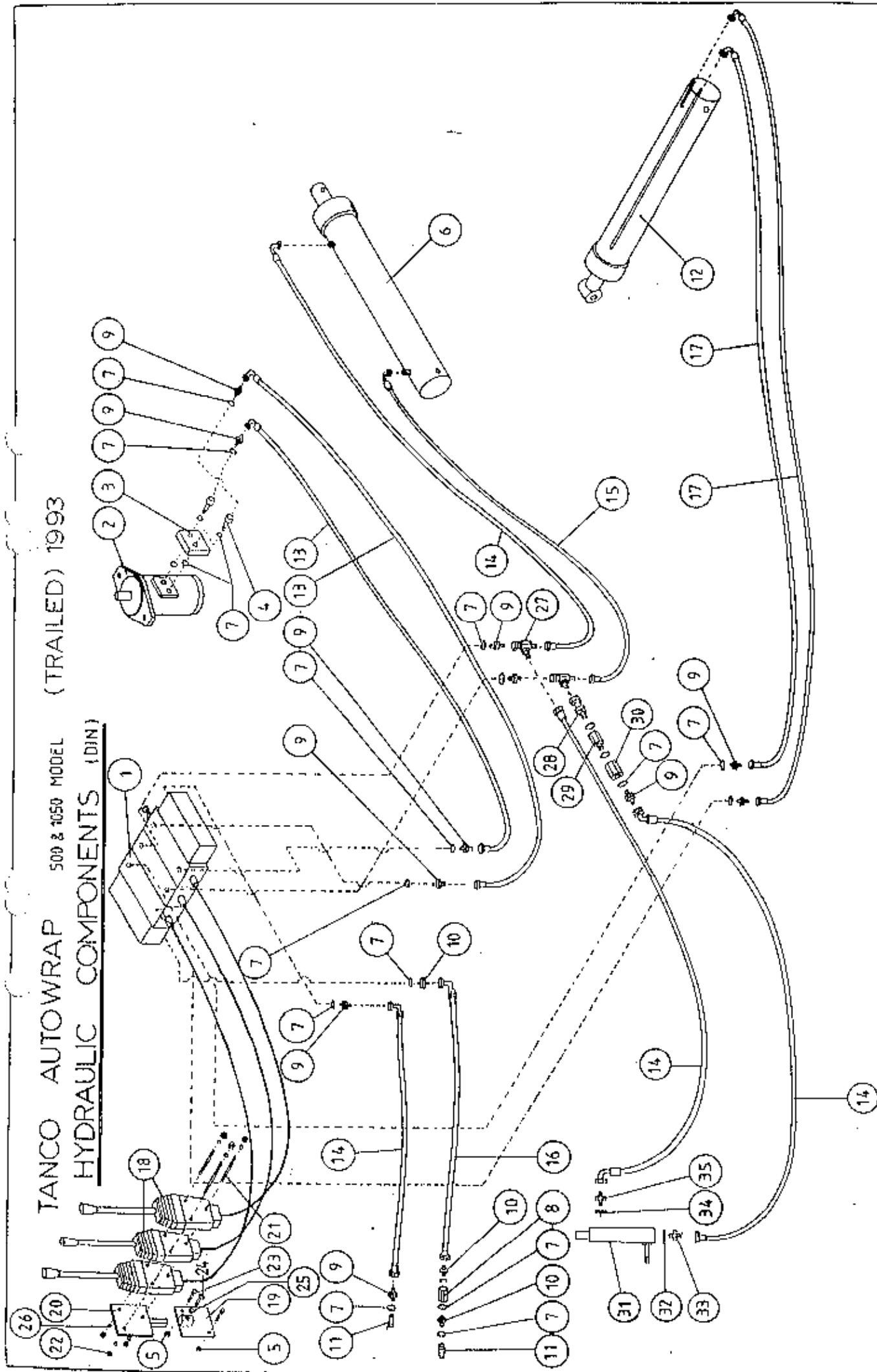
HYDRAULIC COMPONENTS (DIN)

PARTS LIST

<u>ITEM NO.</u>	<u>DESCRIPTION</u>	<u>QTY.</u>	<u>PART NO.</u>
1.	3 BANK SPOOL VALVE (DIN) C/W LEVERS	1	Z01-03-01BD
2.	HYDRAULIC MOTOR (C.L.)	1	Z01-02-AR75
3.	CROSS LINE RELIEF VALVE	1	Z01-03-002
4.	1/2" BSP BOTTOM BANJO BOLT (SPECIAL)	2	
5.	M10 LOCKNUT	2	Z23-10
6.	HYD. RAM (FOR TIPPING FRAME)	1	Z01-01-AR687
7.	1/2" DOWTY WASHER	18	Z01-04-03
8.	1/2" NON RETURN VALVE	1	Z01-03-017
9.	1/2" x 3/8" ADAPTOR	10	Z01-06-06-08
10.	1/2" x 1/2" ADAPTOR	3	Z01-06-08-08
11.	1/2" MALE END Q/R COUPLING	2	Z01-15-081
12.	HYD. RAM (FOR LIFT ARM)	1	Z01-01-AW
13.	96" ST/90 3/8" D/W HOSE	2	Z38-R2-96-S9
14.	84" ST/90 3/8" D/W HOSE	2	Z38-R2-84-S9
15.	72" ST/90 3/8" D/W HOSE	1	Z38-R2-72-S9
16.	84" ST/90 1/2" S/W HOSE	1	Z12-R1-84-S9
17.	120" ST/90 3/8" D/W HOSE	2	Z38-R2-120S9
18.	3 1/2" METER CABLE C/W ACTUATOR	3	Z004-03-0075 Z004-03-009 Z004-03-014
19.	ACTUATOR MTG. BRACKET BOTTOM HALF	1	WD60-AMBR
20.	ACTUATOR MTG. BRACKET TOP HALF	1	WD60-AMBT/WSB151
21.	TIE BOLT (M8 x 150mm LONG)	3	
22.	M8 HEX NUT	6	Z18-08
23.	M10 HEX HD. SETS x 40mm LONG	2	Z26-064S
24.	M12 HEX HD. SET X 30mm LONG	1	Z26-082S
25.	M12 HEX NUT	1	Z18-12
26.	8mm DIA SPRING WASHER	6	Z12-02-08

TANCO AUTOWRAP 500 & 1050 MODEL (TRAILED) 1993

HYDRAULIC COMPONENTS (DIN)

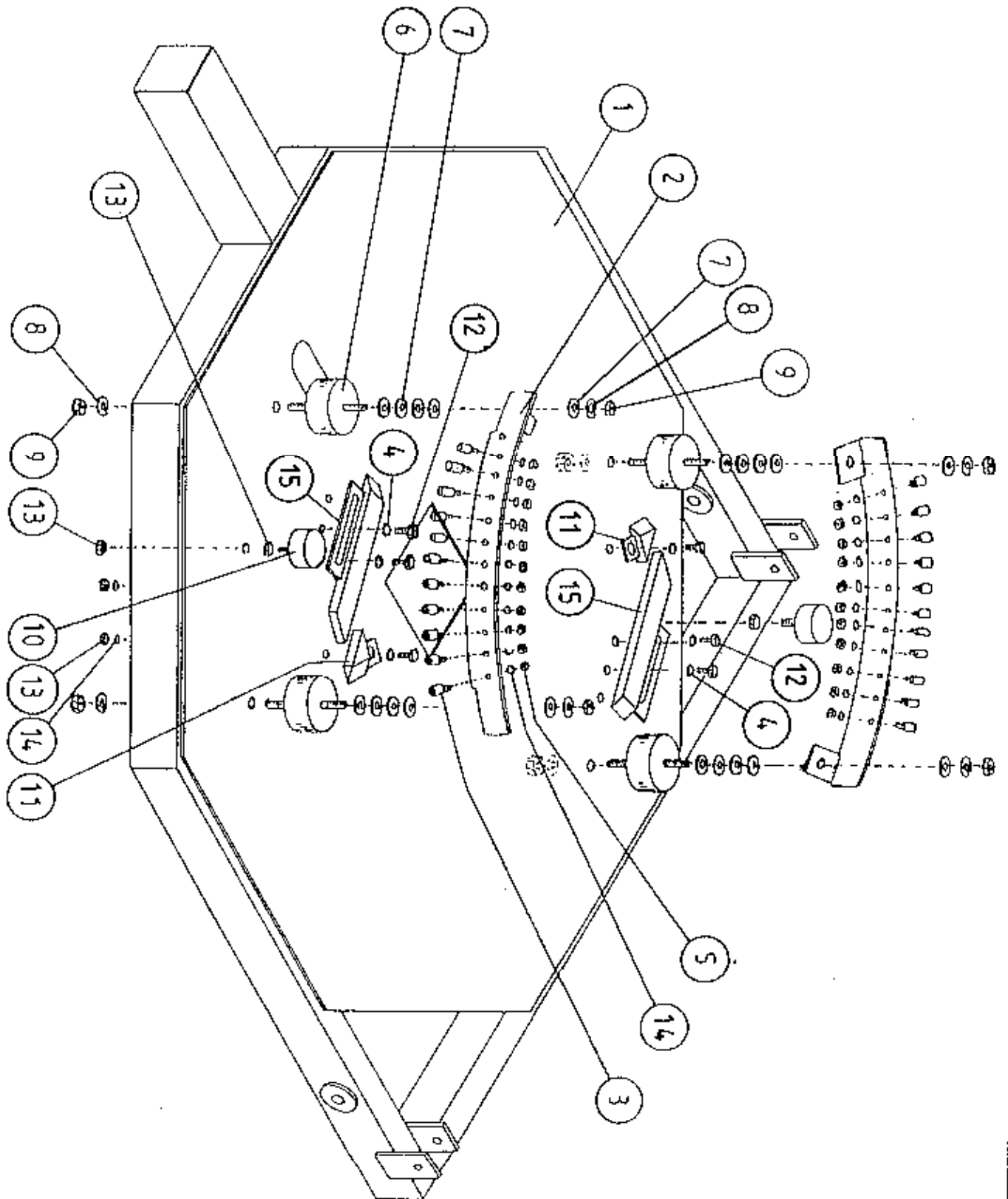


HYDRAULIC COMPONENTS (DIN)PARTS LIST

<u>ITEM NO.</u>	<u>DESCRIPTION</u>	<u>QTY.</u>	<u>PART NO.</u>
1.	3 BANK SPOOL VALVE (DIN) C/W LEVERS	1	Z01-03-018D
2.	HYDRAULIC MOTOR (C.I.)	1	Z01-02-AR75
3.	CROSS LINE RELIEF VALVE	1	Z01-03-002
4.	1/2" BSP BOTTOM BANJO BOLT (SPECIAL)	2	
5.	M10 LOCKNUT	2	Z23-10
6.	HYD. RAM (FOR TIPPING FRAME)	1	Z01-01-AR687
7.	1/2" DOWTY WASHER	21	Z01-04-03
8.	1/2" NON RETURN VALVE	1	Z01-03-017
9.	1/2" x 3/8" ADAPTOR	11	Z01-06-06-08
10.	1/2" x 1/2" ADAPTOR	3	Z01-06-08-08
11.	1/2" MALE END Q/R COUPLING	2	Z01-15-081
12.	HYD. RAM (FOR LIFT ARM)	1	Z01-01-AW
13.	96" ST/90 3/8" D/W HOSE	2	Z38-R2-96-S9
14.	84" ST/90 3/8" D/W HOSE	4	Z38-R2-84-S9
15.	72" ST/90 3/8" D/W HOSE	1	Z38-R2-72-S9
16.	84" ST/90 1/2" S/W HOSE	1	Z12-R1-84-S9
17.	120" ST/90 3/8" D/W HOSE	2	Z38-R2-120S9
18.	3 1/2" METER CABLE C/W ACTUATOR	3	Z004-03-0075 Z004-03-009 Z004-03-014
19.	ACTUATOR MTG. BRACKET BOTTOM HALF	1	WD60-AMBB
20.	ACTUATOR MTG. BRACKET TOP HALF	1	WD60-AMBT/WSR150
21.	TIE BOLT (M8 x 150mm LONG)	3	
22.	M8 HEX NUT	6	Z18-08
23.	M10 HEX HD. SETS x 40mm LONG	2	Z26-064S
24.	M12 HEX HD. SET x 30mm LONG	1	Z26-082S
25.	M12 HEX NUT	1	Z18-12
26.	8mm DIA SPRING WASHER	6	Z12-02-08
27.	3/8" FEMALE x 1/2" MALE/MALE "T" PIECE	2	Z01-12-002
28.	3/8" FEMALE x 1/2" MALE ADAPTOR	1	Z01-05-06-08
29.	0.060 RESTRICTOR	1	Z01-03-40
30.	1/2" FEMALE x 1/2" FEMALE ADAPTOR	1	WJ60-120
31.	HYDRAULIC RAM D/A	1	Z01-01-AW25
32.	3/8" DOWTY WASHER	1	Z01-01-02
33.	3/8" x 3/8" ADAPTOR	1	Z01-06-06-06
34.	1/4" DOWTY WASHER	1	Z01-04-01
35.	1/4" x 3/8" ADAPTOR	1	Z01-06-04-06

TANCO AUTOWRAP 1992

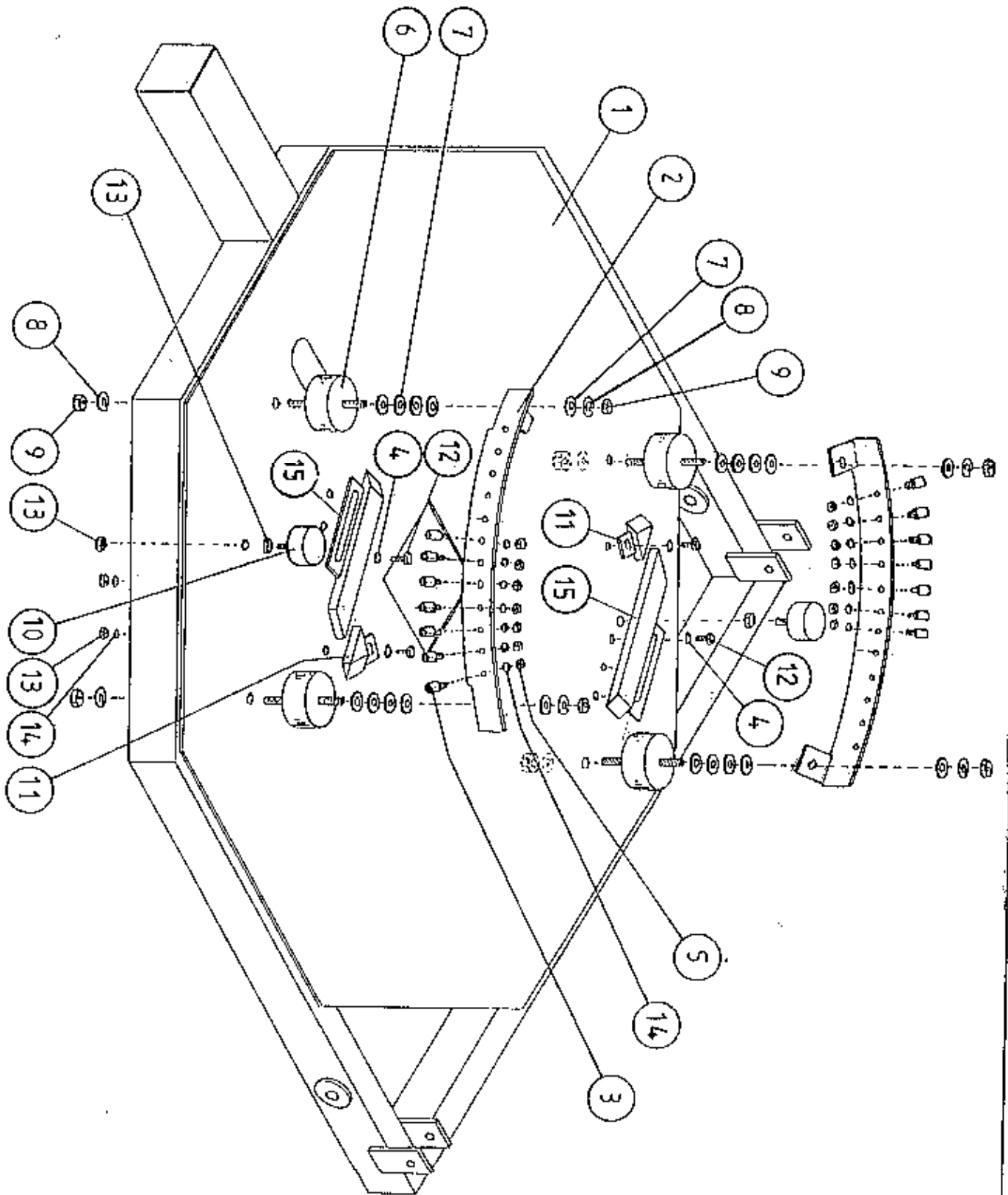
INDEXING QUADRANT ASSY (50% OVERLAP WITH 750mm WIDE FILM ROLL)



TANCO AUTOWRAP 1992PARTS LISTINDEXING QUADRANT ASSEMBLY (50% OVERLAP WITH 750MM WIDE FILM ROLL)

<u>ITEM NO.</u>	<u>DESCRIPTION</u>	<u>QTY.</u>	<u>PART NO.</u>
1.	TIPPING FRAME ASSY.	1	WD60-TF
2.	QUADRANT ASSY.	1	WD60-QA
3.	3/4" DIA CAM FOLLOWER (HEAVY DUTY) C/W GREASE NIPPLE	22	206-425
4.	10mm DIA FLAT WASHERS	6	211-02-10
5.	3/8" UNF LOCKNUTS (BINX)	22	220-12
6.	RUBBER BUFFER 100mm DIA x 40mm LONG	4	240-22
7.	16mm DIA FLAT WASHERS	20	210-02-16
8.	16mm DIA SPRING WASHERS	8	212-02-16
9.	M16 HEX NUT	8	218-16
10.	RUBBER BUFFER 50mm DIA x 25mm LONG	2	240-23
11.	CAM ASSY (SHORT)	2	WD623-CAS
12.	M10 HEX HD SET x 30mm LONG	6	226-0625
13.	M10 HEX NUT	8	218-10
14.	10mm DIA SPRING WASHER	26	212-02-10
15.	CAM ASSY. (LONG)	2	WD623-CAL

TANCO AUTOWRAP 1992 INDEXING QUADRANT ASSY (50% OVERLAP WITH 500mm WIDE FILM ROLL)

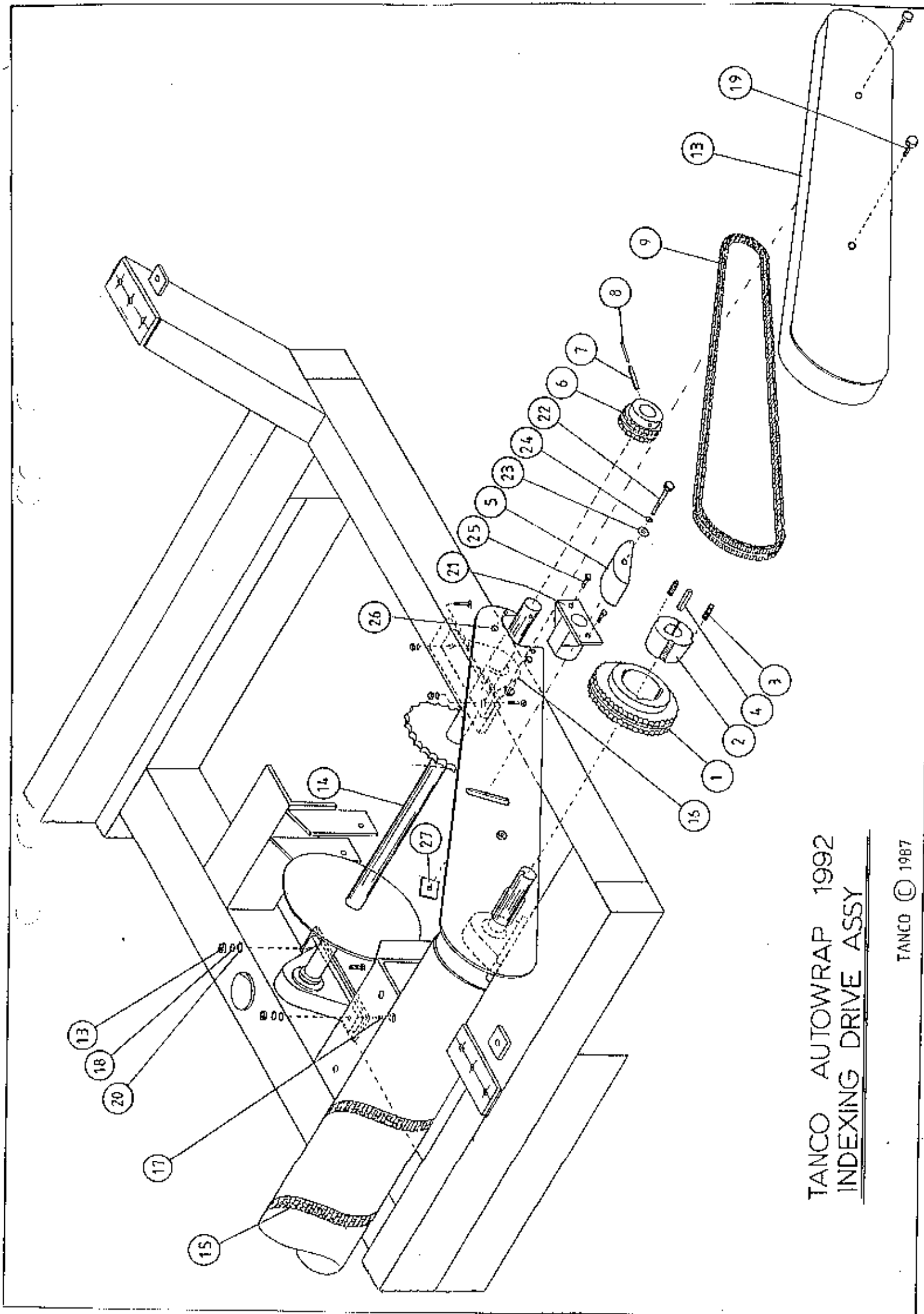


TANCO AUTOWRAP 1992

PARTS LIST

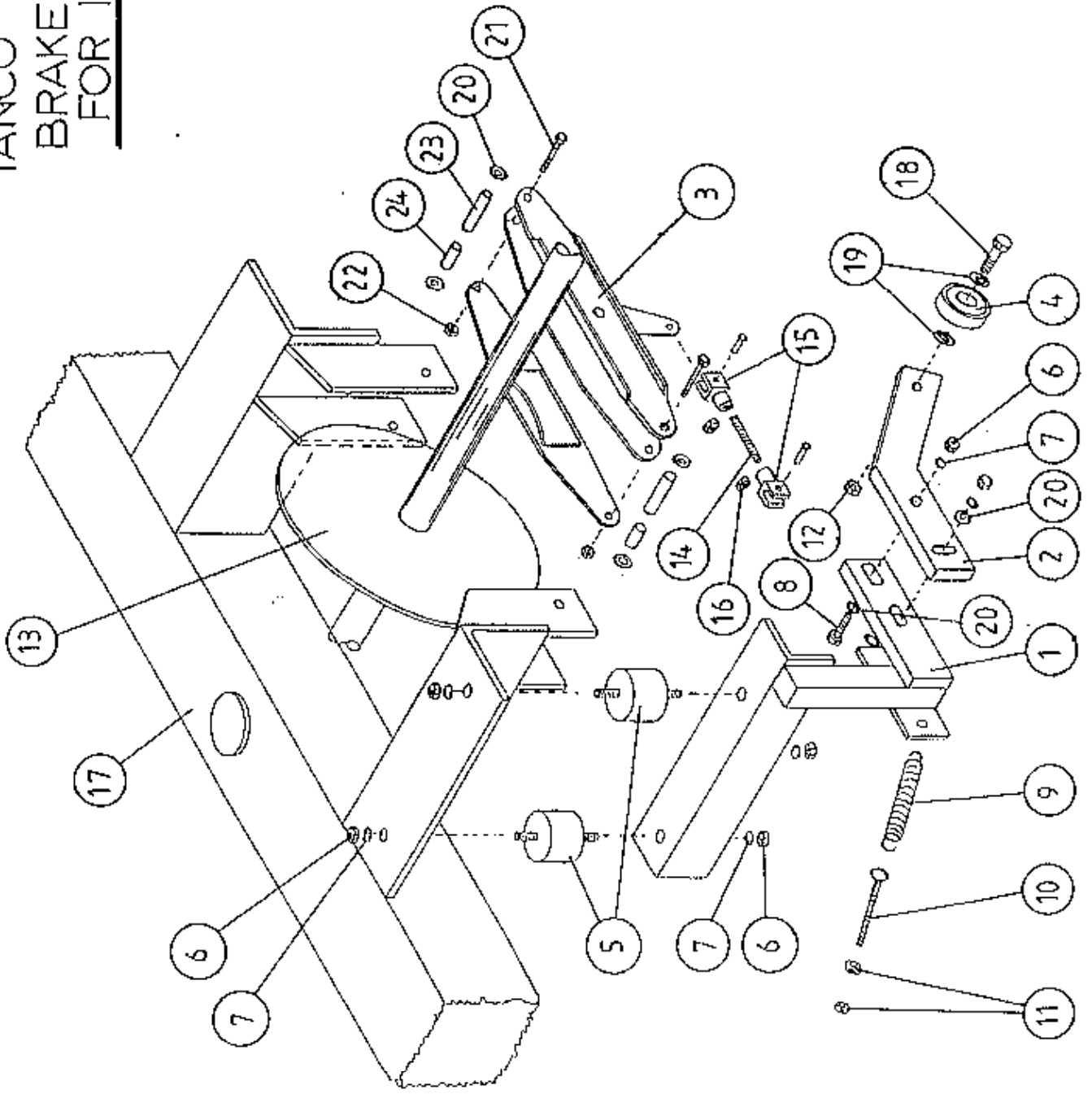
INDEXING QUADRANT ASSEMBLY (50% OVERLAP WITH 500MM WIDE FILM ROLL)

<u>ITEM NO.</u>	<u>DESCRIPTION</u>	<u>QTY.</u>	<u>PART NO</u>
1.	TIPPING FRAME ASSY.	1	WD60-TF
2.	QUADRANT ASSY.	1	WD60-QA
3.	3/4" DIA CAM FOLLOWER (HEAVY DUTY) C/W GREASE NIPPLE	14	Z06-425
4.	10mm DIA FLAT WASHERS	4	Z11-02-10
5.	3/8" UNF LOCKNUTS (BINX)	14	Z20-12
6.	RUBBER BUFFER 100mm DIA x 40mm LONG	4	Z40-22
7.	16mm DIA FLAT WASHERS	20	Z10-02-16
8.	16mm DIA SPRING WASHERS	8	Z12-02-16
9.	M16 HEX NUT	8	Z18-16
10.	RUBBER BUFFER 50mm DIA x 25mm LONG	2	Z40-23
11.	CAM ASSY (SHORT)	2	WD623-CAS
12.	M10 HEX HD SET x 30mm LONG	4	Z26-0625
13.	M10 HEX NUT	8	Z18-10
14.	10mm DIA SPRING WASHER	18	Z12-02-10
15.	CAM ASSY (LONG)	2	WD623-CAL



TANCO AUTOWRAP 1992
INDEXING DRIVE ASSY

TANCO AUTOWRAP 1992
BRAKE ARRANGEMENT
FOR INDEXING SHAFT

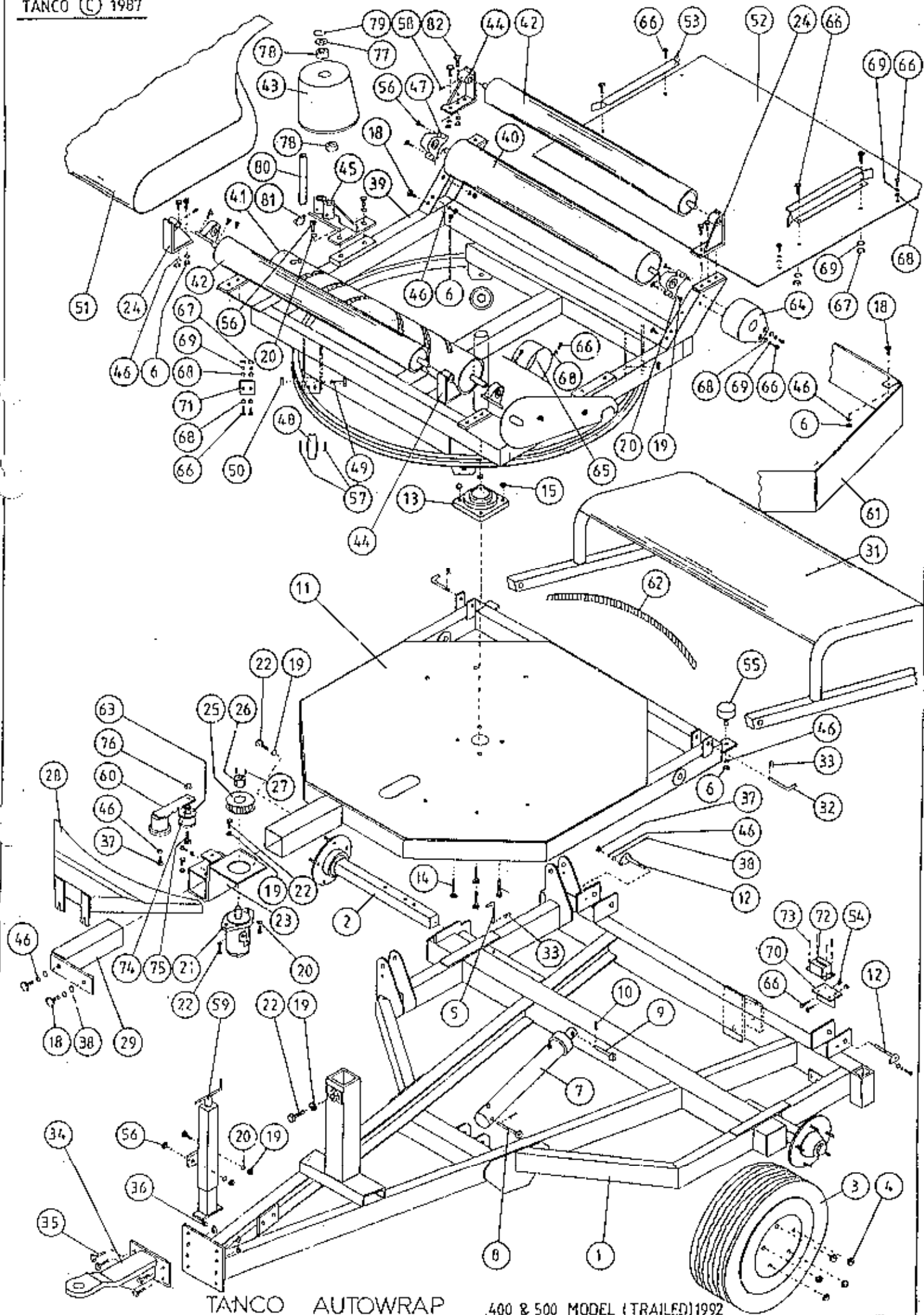


TANCO AUTOWRAP 1992

BRAKE ARRANGEMENT FOR INDEXING SHAFT

PARTS LIST

<u>ITEM NO.</u>	<u>DESCRIPTION</u>	<u>QTY.</u>	<u>PART NO.</u>
1.	CAM FOLLOWER MOUNTING BRACKET (UPPER)	1	WD60-CFMB
2.	CAM FOLLOWER MOUNTING BRACKET (LOWER)	1	WD60-804
3.	CALIPER DISC BRAKE UNIT	1	249-92
4.	BALL BEARING (6301)	1	Z06-43
5.	RUBBER BUFFER 50mm DIA x 30 LONG TYPE A 57 SHORE	2	Z40-21
6.	M10 HEX NUTS	6	Z18-10
7.	10mm DIA SPRING WASHERS	6	Z12-02-10
8.	M10 HEX HD SET x 40 LONG	2	Z26-064S
9.	TENSION SPRING	1	Z07-05
10.	EYE BOLT (M8)	1	WD60-EB
11.	M8 HEX NUTS	2	Z18-08
12.	M12 LOCKNUT	1	Z23-12
13.	SPROCKET/SHAFT ASSY	1	WD60-SPRA
14.	5/16" UNF THREADED BAR x 90mm LONG	1	WD60-806
15.	5/16" UNF CLEVIS C/W PIN & CLIP	2	Z49-33
16.	5/16" UNF HEX NUT	2	Z15-05
17.	TURN TABLE	1	WD60-TT
18.	M12 HEX HD. SETS x 40mm LONG	1	Z26-0845
19.	12mm DIA FLAT WASHER	2	Z11-02-12
20.	10mm DIA FLAT WASHER	7	Z11-02-10
21.	3/8" UNF HEX HD. BOLT x 3" LONG	2	Z31B-102
22.	3/8" UNF LOCK NUT	2	Z15-06
23.	SPACER 1/2" O.D. x 13/32" I.D. x 1 1/2" LONG	2	.
24.	SPACER 1/2" O.D. x 13/32" I.D. x 1/2" LONG	2	.



TANCO AUTOWRAP 400 & 500 MODEL (TRAILED) 1992

1
TANCO AUTOWRAP 400 & 500 MODEL (TRAILED) 1992

PARTS LIST

<u>ITEM NO.</u>	<u>DESCRIPTION</u>	<u>QTY.</u>	<u>PART NO.</u>
1.	CHASSIS ASSY	1	WD60-CHA
2.	STUB AXLE (ADJUSTABLE)	1	204-033
3.	WHEELS	2	204-03
4.	WHEEL NUTS	10	204-0331
5.	BISSEL PIN	1	203-22-AW82
6.	M10 HEX NUT	18	212-10
7.	HYD. RAM	1	201-01-AR6B7
8.	RAM BOTTOM PIVOT PIN	1	203-02-330
9.	RAM TOP PIVOT PIN	1	203-03-50
10.	2" X 1/4" SPLIT PIN	2	203-21-29
11.	TIPPING FRAME ASSY.	1	WD60-TF
12.	TIPPING FRAME PIVOT PIN C/W GREASE NIPPLE	2	203-01-905 239-60
13.	2" DIA FLANGE BEARING	1	206-49
14.	5/8" UNF HEX HD.SET x 2" LONG	4	228-064
15.	5/8" UNF LOCKNUTS	4	220-10
18.	M10 HEX HD SET x 30mm LONG	10	226-062S
19.	M12 HEX NUT	15	210-12
20.	12mm DIA SPRING WASHER	14	212-02-12
21.	HYD.MOTOR C.L.	1	201-02-AR75
22.	M12 HEX HD SETS x 30mm LONG	7	226-082S
23.	HYD. MOTOR MOUNTING ASSY.	1	WD60-HMB
24.	ROLLER MOUNTING BRACKET	2	WD60-TRMB1
25.	4"DIA x 1/2" PITCH TOOTHED PULLEY	1	209-005-AR1
26.	TAPER LOCK BUSH TO SUIT 1" DIA SHAFT	1	209-005-AW2
27.	M10 STUDS x 15mm	2	229-01
28.	HYD. MOTOR GUARD ASSY	1	WD60-HMG
29.	HYDRAULIC MOTOR GUARD MOUNTING BRACKET	1	WD60-HAMB
30.		2	232-08
31.	BALE RAMP ASSY	1	WD60-BR
32.	BISSEL PIN	2	203-22-AW100
33.	4mm "R" CLIP	3	236-02

TANCO AUTOWRAP 400 & 500 MODEL (TRAILED) 1992

PARTS LIST

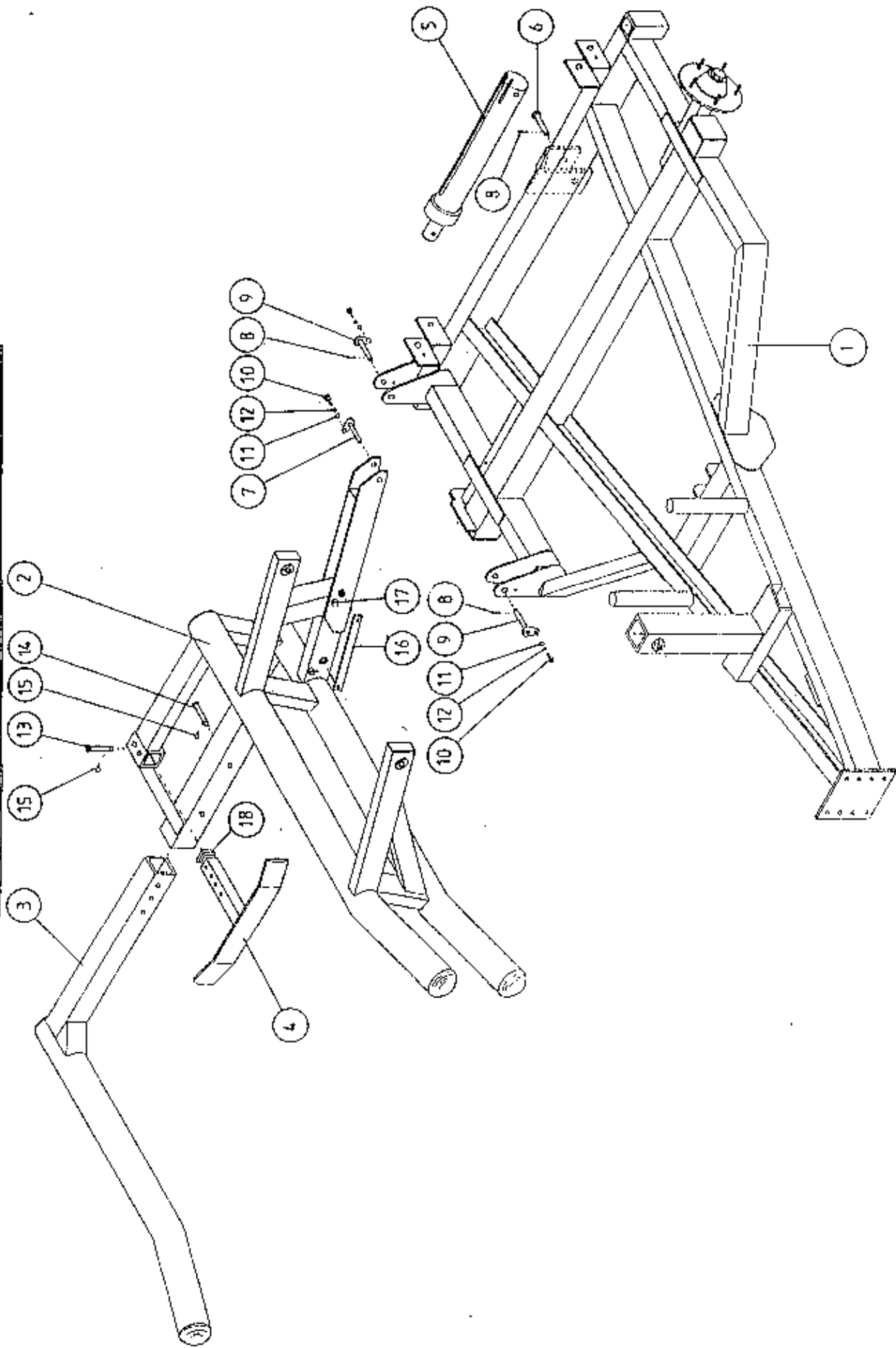
<u>ITEM NO.</u>	<u>DESCRIPTION</u>	<u>QTY.</u>	<u>PART NO.</u>
34.	HITCH ASSY.	1	WD60-HIT
35.	M16 HEX HD. SET x 45mm LONG	4	Z26-123S
36.	M16 LOCKNUTS	4	Z23-16
37.	M10 HEX HD. SET x 25mm LONG (TUFLOCK)	3	Z26S-061
38.	10mm DIA MACHINED FLAT WASHER	4	Z11-02-10
39.	TURN TABLE ASSY.	1	WD60-TT
40.	BIG ROLLER ASSY IDLER	1	WD60-BRI
41.	BIG ROLLER ASSY. DRIVER	1	WD60-BRD
42.	SMALL ROLLER ASSY.	2	WD60-SMR
43.	SIDE ROLLER	2	Z06-AWR
44.	ROLLER MTG. BRACKET	2	WD60-TRMB2
45.	END ROLLER MOUNTING BRACKET	2	WD60-ERM
46.	10mm DIA SPRING WASHERS	23	Z12-02-10
47.	1" PILLOW BLOCK BEARING C/W CAM LOCK COLLAR	4	Z06-47
48.	SUPPORT WHEELS (4" DIA)	4	Z06-466
49.	AXLE ASSY. C/W GREASE NIPPLE	4	Z03-22-AW/AX Z39-60
50.	M20 LOCKNUTS	4	Z23-20
51.	1 METER WIDE x 89 1/2" LONG x 1/4" FLAT BELT	1	Z05-02-AWV
52.	TURN TABLE COVER PLATE	1	WD60-220
53.	BELT GUIDE ASSY.	2	WD60-GD
54.	M8 LOCKNUTS	2	Z23-06
55.	BUFFER 50mm DIA x 40mm LONG	2	Z40-20
56.	M12 HEX HD. SETS x 40mm LONG	14	Z26S-084
57.	SPACER	8	WD60-198
58.	1/8" B.S.P. ST GREASE NIPPLE	4	Z39-60
59.	SCREW JACK ASSEMBLY	1	WD60-JA
60.	ROSTA TENSIONING UNIT ARM	1	Z06-454
61.	MAIN GUARD ASSY.	1	WD60-MG A
62.	170" LONG x 1/2 PITCH x 1" WIDE TOOTHED BELT	1	Z05-02-AW2
63.	STEPPED ROLLER C/W BEARINGS	1	Z06-456

TANCO AUTOWRAP 400 & 500 MODEL (TRAILED) 1992

PARTS LIST

<u>ITEM NO.</u>	<u>DESCRIPTION</u>	<u>QTY.</u>	<u>PART NO.</u>
64.	GRASS GUARD (CLOSED TYPE)	3	249-98
65.	GRASS GUARD (OPEN TYPE)	1	249-981
66.	M8 HEX HD SETS x 20mm LONG	22	226-0395
67.	M8 HEX NUTS	14	218-08
68.	8mm DIA FLAT WASHERS (MUD FLAP)	20	211-02-081
69.	8mm DIA SPRING WASHERS	20	212-02-08
70.	COUNTER MOUNTING BRACKETS	1	WD60-CM2
71.	SCRAPER	2	WD60-705
72.	COUNTER (RE-SETTABLE TYPE)	1	249-911
73.	3mm DIA POP RIVET	4	203-25-03
74.	SPACER	1	218-12
75.	M10 HEX HD BOLT x 60mm LONG	1	226-0678
76.	M10 LOCKNUT	1	223-10
77.	THRUST WASHER	2	WD60-292
78.	BEARING (25mm I.D.)	4	206-433
79.	CIRCLIP	2	229-75
80.	ROLLER SHAFT ASSEMBLY	2	WD60-763
81.	10mm "D" LINC PINS	2	238-03
82.	M10 HEX HD SET x 35mm LONG	8	226-0635

TANCO AUTOWRAP LIFT ARM & CHASSIS
400 & 500 MODEL (TRAILED) 1992



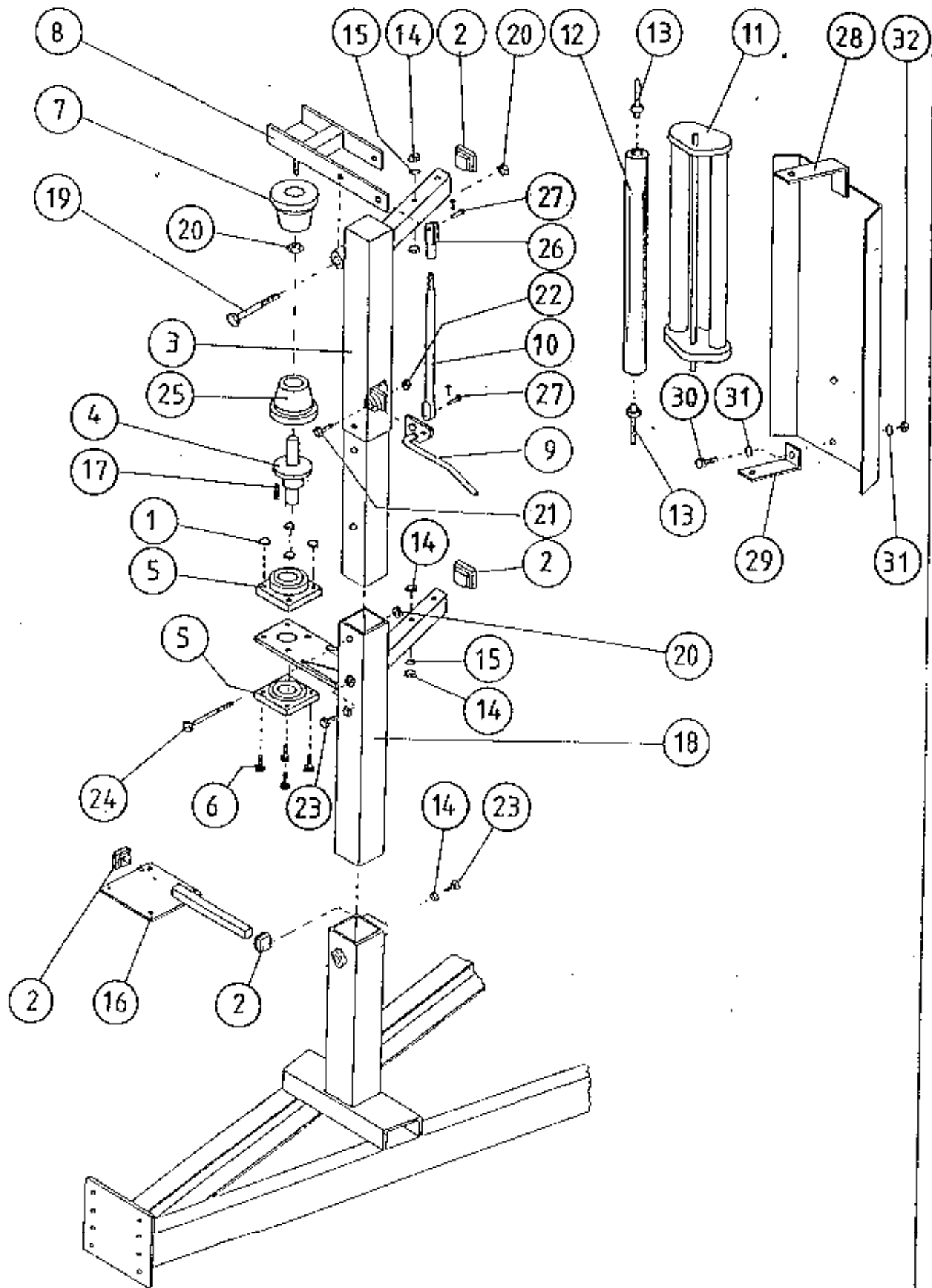
TANCO AUTOWRAP 400 & 500 MODEL (TRAILED) 1992

PARTS LIST

LIFT ARM AND CHASSIS

<u>ITEM NO.</u>	<u>DESCRIPTION</u>	<u>QTY.</u>	<u>PART NO.</u>
1.	CHASSIS ASSEMBLY	1	WD60-CHA
2.	LIFT ARM ASSEMBLY	1	WD60-LA
3.	ADJUSTABLE OUTER ARM ASSY.	1	WD60-LAAA
4.	ADJUSTABLE DALE STOP	1	WD60-LARS
5.	HYDRAULIC RAM (LIFT ARM)	1	Z01-01-8W
6.	RAM BOTTOM PIVOT PIN	1	Z03-02-330
7.	RAM TOP PIVOT PIN	1	Z03-01-797
8.	2" x 1/4" SPLIT PINS	3	Z03-21-29
9.	LIFT ARM PIVOT C/W GREASE NIPPLE	2	Z03-01-905
10.	M10 HEX HD SET x 25mm LONG (TUFLOCK)	3	Z265-061
11.	10mm DIA MACHINED FLAT WASHER	3	Z11-02-10
12.	10mm DIA SPRING WASHER	3	Z12-02-10
13.	SPAREX PIN	1	Z03-04-73
14.	SPAREX PIN	1	Z03-04-77
15.	7/16" DIA LINCH PINS	2	Z03-22-06
16.	SAFETY SUPPORT BAR	1	WD60-319
17.	6mm DIA LINCH PIN	2	Z03-22-03
18.	PLASTIC CAP	1	Z32-10

TANCO AUTOWRAP 400 MODEL (TRAILED) 1992 FILM DISPENSING SYSTEM



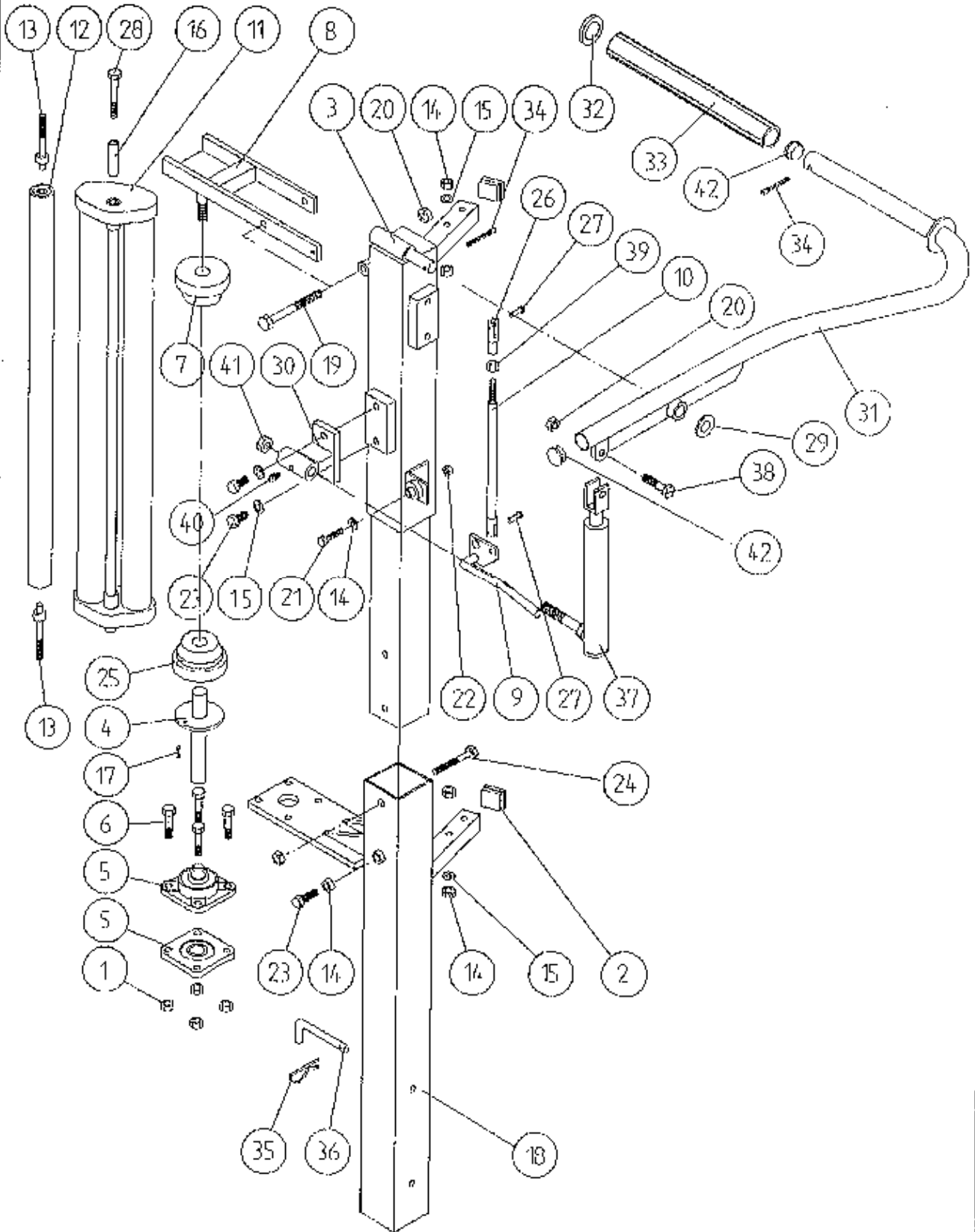
TANCO AUTOMRAP 400 MODEL (TRAILED) 1992

FILM DISPENSING SYSTEM

PARTS LIST

<u>ITEM NO.</u>	<u>DESCRIPTION</u>	<u>QTY.</u>	<u>PART NO.</u>
1.	M10 LOCKNUTS	4	Z23-10
2.	PLASTIC CAPS (TO SUIT 40 x 40 x 3 RHS)	4	Z32-07
3.	DISPENSER MOUNTING (UPPER)	1	WD60-DMUM
4.	FILM SPOOL ASSEMBLY	1	WD60-SPO
5.	1" DIA FLANGE BEARING	2	Z06-48
6.	M10 HEX HD. BOLT x 50mm LONG	4	Z26-066B
7.	CONE (TOP) C/W BALL BEARINGS	1	Z06-45-01
8.	CLAMP ASSEMBLY	1	WD60-DMCA
9.	LEVER ASSEMBLY	1	WD60-DMLA
10.	LINK ASSEMBLY	1	WD60-DMLK
11.	FILM DISPENSER UNIT MK 6	1	D613
12.	SLAVE ROLLER ASSY (PLASTIC COATED)	1	WD60-SLR
13.	SLAVE ROLLER PIVOT	2	WD60-253
14.	M12 HEX NUTS	6	Z18-12
15.	12mm DIA SPRING WASHER	2	Z12-02-12
16.	SPOOL VALVE MOUNTING PLATE ASSEMBLY	1	WD60-SUMP
17.	1/4" DIA TENSION PIN x 3/4" LONG	1	Z03-20-062
18.	DISPENSER MOUNTING (LOWER)	1	WD60-DMLM
19.	M12 HEX HD BOLT x 130mm LONG	1	Z26-094B
20.	M12 LOCKNUT	3	Z23-12
21.	M8 HEX HD BOLT x 35mm LONG	1	Z26-0425
22.	M8 LOCKNUT	1	Z23-08
23.	M12 HEX HD SET x 30mm LONG	2	Z26-0825
24.	M12 HEX HD BOLT x 100mm LONG	1	Z26-092B
25.	CONE (BOTTOM)	1	Z06-45-02
26.	CLAVIS (M10)	1	Z49-336
27.	PIN (5/16" DIA) C/W CLIP	2	Z49-337
28.	FILM GUARD ASSY	1	WD623-FG
29.	FILM GUARD MOUNTING BRACKET	1	WD623-FGM
30.	M8 HEX HD SET x 25mm LONG	1	Z26-040S
31.	8mm DIA FLAT WASHER	2	Z11-02-08
32.	M8 LOCKNUT	1	Z23-06

TANCO AUTOWRAP 500 MODEL
FILM DISPENSOR SYSTEM



FILM DISPENSING SYSTEM

PARTS LIST

<u>ITEM NO.</u>	<u>DESCRIPTION</u>	<u>QTY.</u>	<u>PART NO.</u>
1.	M10 LOCKNUTS	4	Z23-10
2.	PLASTIC CAPS (TO SUIT 40 x 40 x 3 RMS)	4	Z32-07
3.	DISPENSER MOUNTING (UPPER)	1	WD60-DMUM
4.	FILM SPOOL ASSEMBLY	1	WD60-SPO
5.	1" DIA FLANGE BEARING	2	Z06-48
6.	M10 HEX HD. BOLT x 50mm LONG	4	Z26-066B
7.	CONE (TOP) C/W BALL BEARINGS	1	Z06-45-01
8.	CLAMP ASSEMBLY	1	WD60-DMCA
9.	LEVER ASSEMBLY	1	WD60-DMLA
10.	LINK ASSEMBLY	1	WD60-DMLK
11.	FILM DISPENSER UNIT MK 6	1	D613
12.	SLAVE ROLLER ASSY (PLASTIC COATED)	1	WD60-SLR
13.	SLAVE ROLLER PIVOT	2	WD60-253
14.	M12 HEX NUTS	6	Z18-12
15.	12mm DIA SPRING WASHER	2	Z12-02-12
16.	SLEEVE	1	
17.	1/4" DIA TENSION PIN x 3/4" LONG	1	Z03-20-062
18.	DISPENSER MOUNTING (LOWER)	1	WD60-DMLM
19.	M12 HEX HD BOLT x 130mm LONG	1	Z26-094B
20.	M12 LOCKNUT	3	Z23-12
21.	M8 HEX HD BOLT x 35mm LONG	1	Z26-042S
22.	M8 LOCKNUT	1	Z23-08
23.	M12 HEX HD SET x 30mm LONG	2	Z26-082S
24.	M12 HEX HD BOLT x 100mm LONG	1	Z26-092B
25.	CONE (BOTTOM)	1	Z06-45-02
26.	CLEVIS (M10)	1	Z49-336
27.	PIN (5/16" DIA) C/W CLIP	2	Z49-337
28.	M10 HEX HD. BOLT x 80MM LONG	1	Z26-0691B
29.	3/4" DIA FLAT WASHER	1	Z10-02-19
30.	FILM PULL DOWN BRACKET ASSY	1	WD65-FPDB
31.	FILM PULL DOWN ARM ASSY	1	WD65-FPDA
32.	25 MM I.D. FLAT WASHER	1	WD60-859
33.	Roller	1	WD60-866
34.	2" x 1/4" SPLIT PIN	2	Z01-23-29
35.	4mm "R" CLIP	1	Z36-02
36.	BISSEL PIN (110mm LONG)	1	WD60-861
37.	HYDRAULIC RAM	1	Z01-01-AW25
38.	M12 HEX HD. SET x 50mm LONG	1	Z26-0865
39.	5/16" UNF HEX NUT	1	Z15-05
40.	1/8" BSP ST. GREASE NIPPLE	1	Z39-60